



creating medical mobility

symbio-cart  
triples  
your  
possibilities





# The new dimension: symbio-cart



It is with great pride that we introduce our new equipment cart to you. Symbiosis is an impressive natural phenomenon. Our new product idea symbio-cart is produced from combining established strengths and modern development methods.

With this equipment cart, we offer you a universal solution that can be used in the most diverse applications of medical technology. In symbio-cart, the fundamental 3-column concept and the well-known ITD modularity combine to expand the competitive edge of your projects.

symbio-cart triples your system configuration possibilities for even more ideas and more decision-making space.

In the following pages, we will familiarise you with the technical details and the essential use of our product.

Kind regards

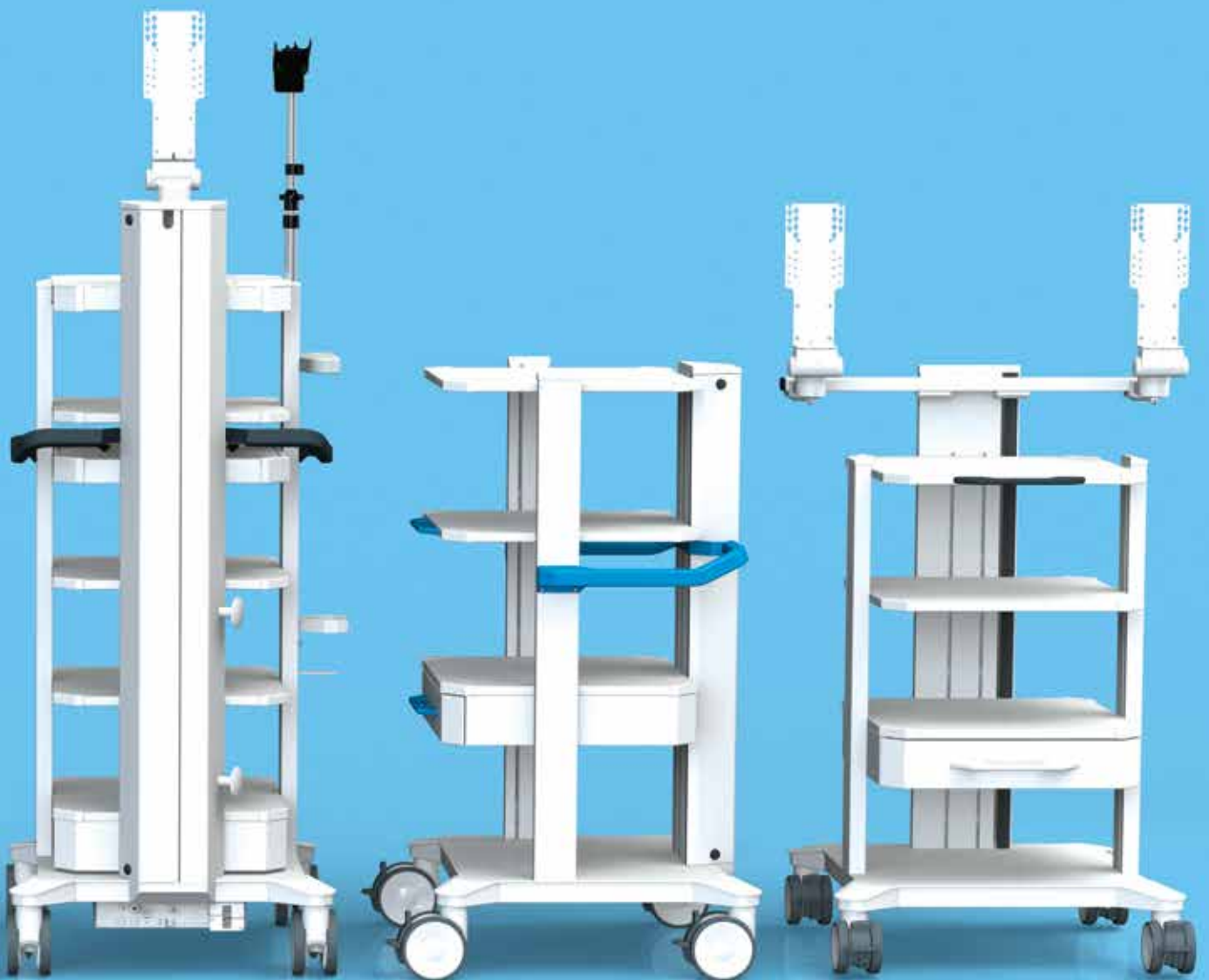
Quintin Potgieter  
Managing Director ITD

# 360 degree panorama



## Contents

|  |    |
|--|----|
| Triple column concept .....            | 4  |
| The technology behind the scenes ..... | 8  |
| How does one create symbiosis? .....   | 10 |



|                            |    |
|----------------------------|----|
| Order configurations ..... | 12 |
| System components .....    | 14 |
| Accessories .....          | 26 |

# Multiplier of your ideas: Triple column concept



## All Over

symbio-cart has universal mounting options for components and accessories



## On Top

The components can be mounted directly on the media column




## All In

Space for all plugs and cabling in the central lockable media column







Central monitor connection



Footprint

624 / 674 / 824

626



Floor space

450 / 500 / 650

490



Basic frame symbio-cart "Plus"

## Basic frame

### More space with a smaller footprint

- Different structural widths (450 mm, 500 mm, 650 mm) and heights (25-45 U; 1 U = Unit = 32 mm) as well as a higher "Plus" media column for more flexibility.
- Space-saving assembly of the support arm on or against the media column as well as against the vertical profile for flexible positioning of the monitors on equipment carts.
- Ergonomic operation of accessories.
- Basic frame can be used as additional shelf.
- The basic frame is very stable.



# 3 columns give you freedom to decide



Basic frame  
symbio-cart

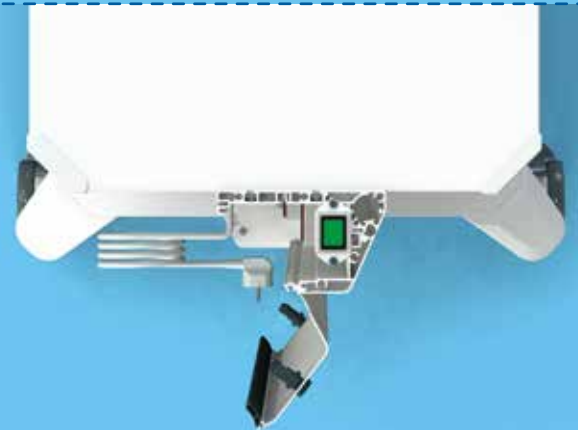


Media column

## Media column

### Cabling concept 4.0

- Media column as central lockable hub for connector cables, extended cables and country-specific socket strips.
- Organised cable routing at every position along the media column thanks to flexible rubber seals.
- Electrical safety when using multiple devices thanks to use of isolating transformers (up to max. 2000 VA).
- Open design prevents heat build-up.



# The technology behind the scenes



Direct monitor mount



Storage space



Various interfaces

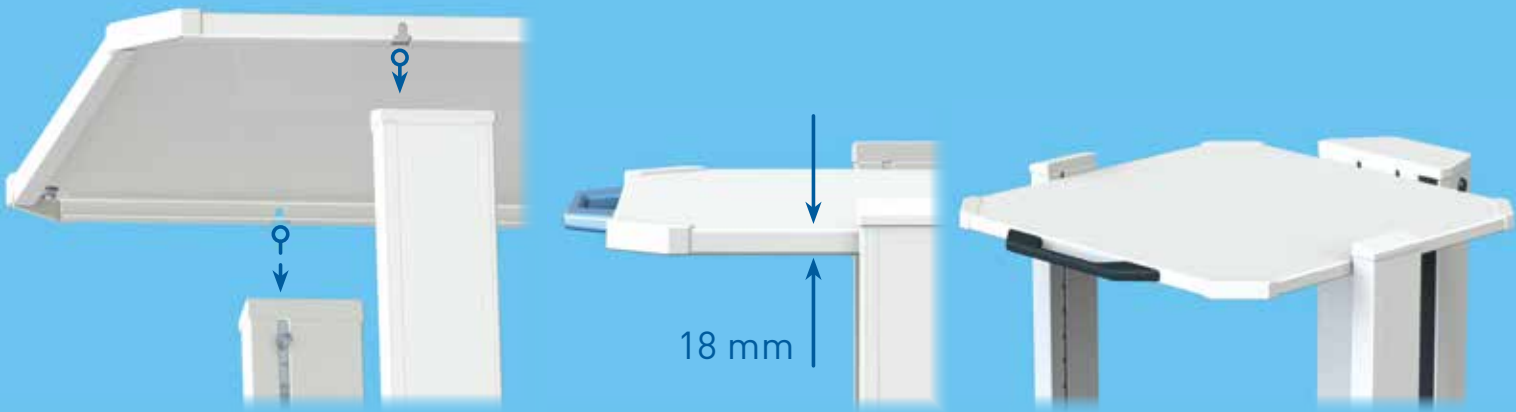


ISO monitor

## Media shelf

### One-to-All: from the shelf to the control console

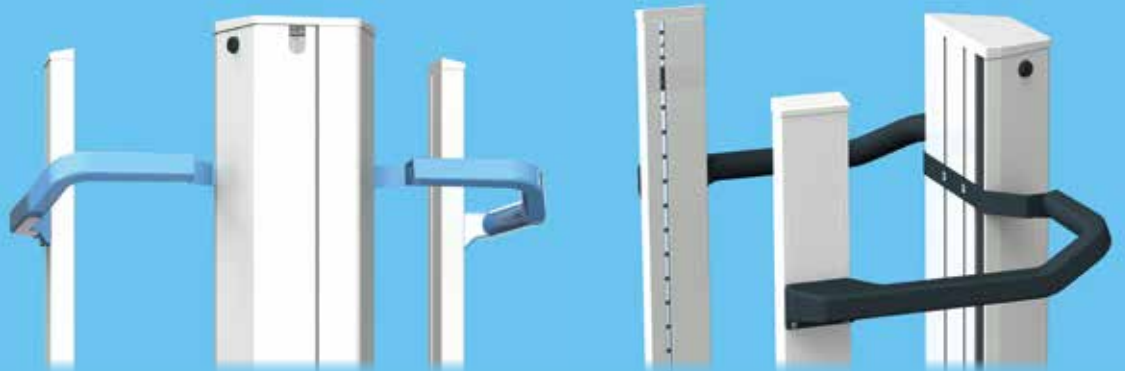
- Useful in the basic version as shelf with storage function. Excess cables, power supply units or small parts can be securely stored here.
- Available as central connection interface for input and output signals when equipped fully. On/off switch, customer-specific interfaces like USB, HDMI and insulation monitors can be included. All functions can also be modified individually.
- Ergonomic operation and plug-and-play.
- Optionally also available as monitor bases, also with storage function.



## Shelf

### Simplified assembly and functional design

- Integrate mounting holes for simple retrofitting or conversion. All modifications can be made by one person.
- Low component height provides more room for equipment and other components at the same installation height of the cart.
- Handles are tried and tested as design interfaces for colour variations.



## Push handle

### All-round ergonomic experience

- Revolving, high quality handle makes it possible to flexibly choose the pushing side to safely move the entire system.
- Flexible positioning of the push handle.
- Available as standard in white, anthracite and blue. Other customer-specific colours available on request.

# How does one create symbiosis? From theory to practice



## Customer dialogue

We are happy to advise our customers personally via email, telephone or on site. Let us know what the requirements are for your system and we will develop individual concepts for you.



## ITD website

If you would like more information first, we have provided all information and technical details about our new equipment cart symbio-cart on our website.



## Download area

The downloads available on the ITD website allow you to easily get product and company information for processing or passing on to colleagues.



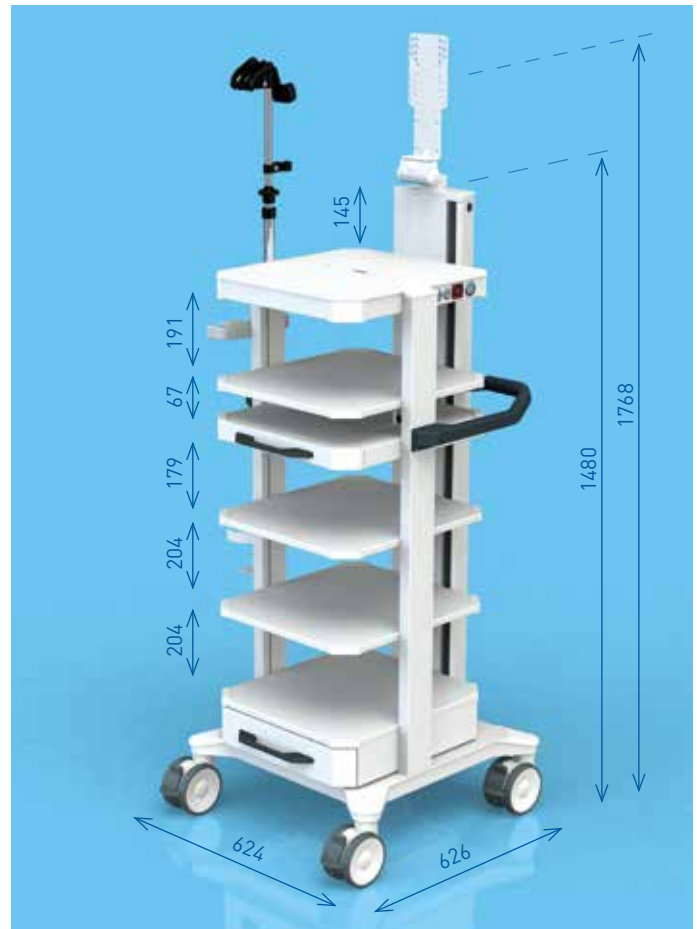
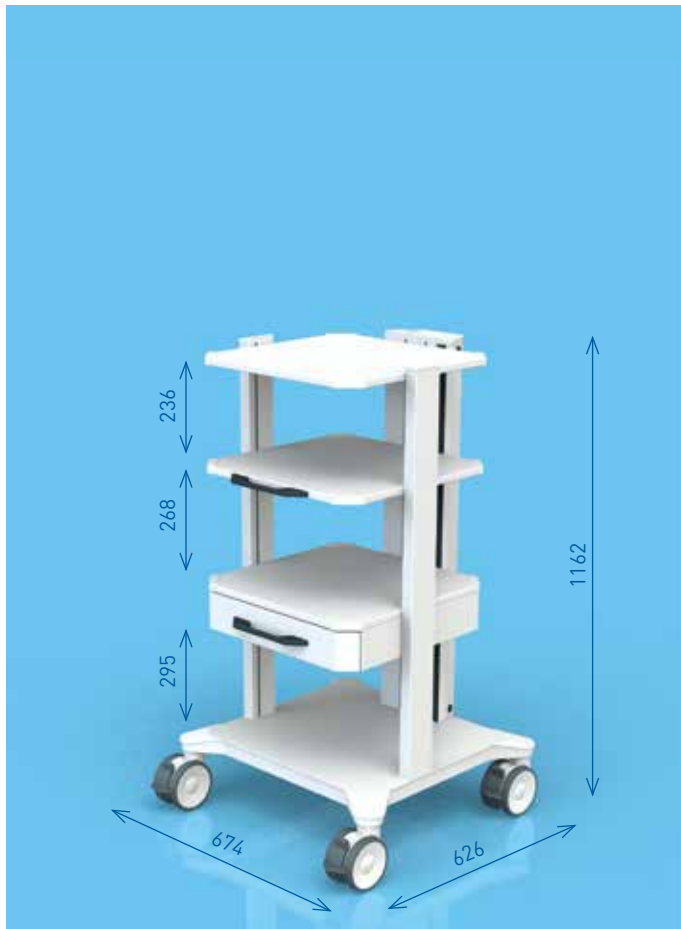
## Online product configuration tool

Do you already have a very specific idea about how your sybio-cart should look?

Using this online tool, you can configure your individual sybio-cart along with all system components and accessories in real time.

# ORDER CONFIGURATIONS

## Order configurations symbio-cart



**symbio-cart Basic Cart**  
Item number: **GN.5050.XXX**

**symbio-cart Endoscopy Cart**  
Item number: **GN.4550.XXX**

symbio-cart

Equipment cart, 30 U (total height: 1162 mm), Installation width W 500 mm equipped with:

- 1 basic frame with 4 lockable double castors Ø 125 mm
- 1 hygiene strips
- 1 multiple socket outlet, 6 outlets with on/off switch
- 2 shelves
- 1 shelf with handle
- 1 drawer

Equipment cart, 35 U - 40 U (total height: 1840 mm), Installation width W 450 mm equipped with:

- 1 basic frame "Plus" with 4 lockable double castors Ø 125 mm
- 1 hygiene strips
- 1 isolating transformer with 1600 VA
- 1 media shelf
- 1 monitor holder with VESA 75 / 100 Adaption, universal
- 1 endoscopy holder
- 1 plug holder
- 1 drip bowl
- 4 shelves
- 1 drawer
- 1 keyboard drawer with mouse pad
- 1 push handle
- 1 cable winder (side of media column)
- 1 POAG panel, 8 outlets

**Installation height:** 30 U (960 mm)  
**Load capacity:** 180 kg  
**Surface:** RAL9016 traffic white, powder-coated  
**Decorative trims:** Handle see <sup>1)</sup>  
**Scope of delivery:** fully assembled

**Installation height:** 35 U + 5 U (1120 mm + 160 mm)  
**Load capacity:** 180 kg  
**Surface:** RAL9016 traffic white, powder-coated  
**Decorative trims:** Handle and push handle see <sup>1)</sup>  
**Scope of delivery:** fully assembled

<sup>1)</sup> Decorative elements: replace .XXX with .921 = RAL 9016 traffic white, .920 = RAL 7016 anthracite grey, .927 = RAL Design 2507025 meadow blue

# ORDER CONFIGURATIONS

## Order configurations symbio-cart



### symbio-cart Endoscopy Cart

Item number: **GN.5051.XXX**

Equipment cart, 40 U (total height: 1840 mm), Installation width W 500 mm equipped with:

- 1 basic frame with 4 lockable double castors Ø 125 mm
- 1 hygiene strips
- 1 isolating transformer with 1600 VA
- 1 monitor holder with VESA 75 / 100 Adaption, universal
- 1 camera holder with beaker
- 1 gas bottle holder
- 4 shelves
- 1 shelf with handle
- 1 drawer
- 1 keyboard drawer with mouse pad
- 1 push handle

**Installation height:** 40 U (1280 mm)  
**Load capacity:** 180 kg  
**Surface:** RAL9016 traffic white, powder-coated  
**Decorative trims:** Handle and push handle see <sup>1)</sup>  
**Scope of delivery:** fully assembled



### symbio-cart Endoscopy Cart

Item number: **GN.5052.XXX**

Equipment cart, 30 U - 35 U (total height: 1875 mm), Installation width W 500 mm equipped with:

- 1 basic frame with 4 lockable double castors Ø 125 mm
- 1 hygiene strips
- 1 height-adjustable support arm (8-14 kg); L = 400 mm + 350 mm
- 1 isolating transformer with 1600 VA
- 3 shelves
- 1 keyboard drawer with mouse pad
- 1 drawer
- 1 cable winder (side of media column)
- 1 push handle

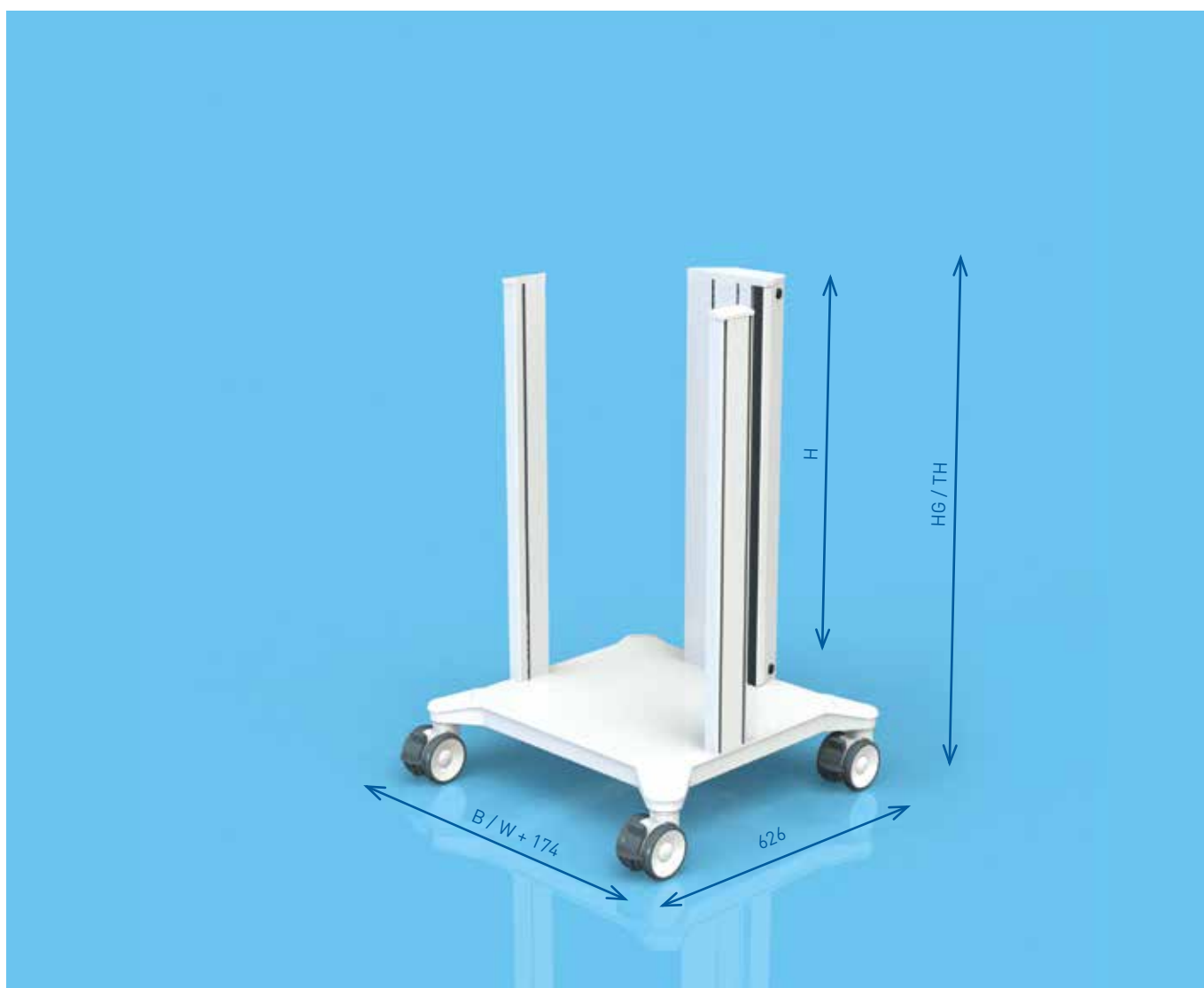
**Installation height:** 30 U + 5 U (960 mm + 160 mm)  
**Load capacity:** 180 kg  
**Surface:** RAL9016 traffic white, powder-coated  
**Decorative trims:** Handle and push handle see <sup>1)</sup>  
**Scope of delivery:** fully assembled

# BASIC FRAME

## Basic frame symbio-cart

The basic frame symbio-cart comprises a stable base, two side vertical profiles and a central media column. The base is stable thanks to its solid steel construction and can at the same time be used as a shelf for equipment. All the cart's cabling goes through the lockable media column. Besides the data and power cables and cable extensions, there is also enough space for country-specific plug strips. The rubber seals along the media column make it possible to insert or run out the cable to the preferred height. The system components and accessories can be mounted both on the inside and outside of the profiles and the media column. Four lockable twin castors (Ø 100 mm) provide a high level of ease of movement when being moved and a secure anchoring at the site of use.

**Load capacity:** 180 kg  
**Material:** Steel / aluminium  
**Surface:** RAL 9016 traffic white, powder-coated  
**Scope of delivery:** 1 basic frame, fully assembled



symbio-cart

| Installation height H  | Total height HG | Castors Ø | W 450              | W 500              | W 650              |
|------------------------|-----------------|-----------|--------------------|--------------------|--------------------|
| 25-25 U (800-800 mm)   | 977 mm          | 100 mm    | <b>GN.4500.993</b> | <b>GN.5000.993</b> | <b>GN.6500.993</b> |
| 30-30 U (960-960 mm)   | 1137 mm         | 100 mm    | <b>GN.4501.993</b> | <b>GN.5001.993</b> | <b>GN.6501.993</b> |
| 35-35 U (1120-1120 mm) | 1297 mm         | 100 mm    | <b>GN.4502.993</b> | <b>GN.5002.993</b> | <b>GN.6502.993</b> |
| 40-40 U (1280-1280 mm) | 1457 mm         | 100 mm    | <b>GN.4503.993</b> | <b>GN.5003.993</b> | <b>GN.6503.993</b> |



# BASIC FRAME "Plus"

## Basic frame "Plus" symbio-cart

The basic frame symbio-cart "Plus" differs from the basic version with a 160 mm [5 U] longer media column. This allows monitor holders to be installed directly on the media column. The connections are therefore led directly to the media column and neatly stored within it. With different installation heights, a shelf can be used for equipment at the highest position of the vertical profile.

**Load capacity:** 180 kg  
**Material:** Steel / aluminium  
**Surface:** RAL 9016 traffic white, powder-coated  
**Scope of delivery:** 1 basic frame "Plus", fully assembled



symbio-cart

| Installation height H  | Total height HG | Castors Ø | W 450              | W 500              | W 650              |
|------------------------|-----------------|-----------|--------------------|--------------------|--------------------|
| 25-30 U (800-960 mm)   | 977 + 25 mm     | 100 mm    | <b>GN.4511.993</b> | <b>GN.5011.993</b> | <b>GN.6511.993</b> |
| 30-35 U (960-1120 mm)  | 1137 + 25 mm    | 100 mm    | <b>GN.4512.993</b> | <b>GN.5012.993</b> | <b>GN.6512.993</b> |
| 35-40 U (1120-1280 mm) | 1297 + 25 mm    | 100 mm    | <b>GN.4513.993</b> | <b>GN.5013.993</b> | <b>GN.6513.993</b> |
| 40-45 U (1280-1440 mm) | 1457 + 25 mm    | 100 mm    | <b>GN.4514.993</b> | <b>GN.5014.993</b> | <b>GN.6514.993</b> |

# BASIC FRAME

## Castor conversion kit for basic frame symbio-cart

The following castors are offered for additional requirements, each as a conversion kit in place of the standard version described:

**Scope of delivery:** 1 roller conversion kit, 4 rollers; each roller with brake function, factory assembly only.

| Castor conversion kit | in place of serial | Item number |
|-----------------------|--------------------|-------------|
| Ø 125 mm, conductive  | Ø 100 mm           | ZV.9223.999 |
| Ø 125 mm              | Ø 100 mm           | ZV.9222.999 |
| Ø 100 mm, conductive  | Ø 100 mm           | ZV.9221.999 |

## Wall deflector for basic frame symbio-cart

A wall deflector kit for the castors can also be ordered to avoid wall collisions and therefore damage to the basic frame.

**Material:** Softprene SBS  
**Surface:** RAL 7011 iron grey  
**Scope of delivery:** 4 wall deflectors, factory assembly only



| Description        | Item number |
|--------------------|-------------|
| Wall deflector kit | ZV.9210.999 |

## Cable guard for basic frame symbio-cart

Cable guards are recommended to avoid damage to the cable. This product ensures that the cables lying on the ground are not run over with the equipment cart, but rather pushed by the cable guard.

**Material:** LDPE plastic  
**Surface:** RAL 7015 slate grey  
**Scope of delivery:** 4 cable guards including assembly material



| Description                          | Item number |
|--------------------------------------|-------------|
| Cable guard kit for castors Ø 100 mm | ZV.9204.999 |
| Cable guard kit for castors Ø 125 mm | ZV.9205.999 |

## Hygiene strips for basic frame symbio-cart

The hygiene strips are available for all variants of the basic frame and serve to cover the T-slots on the outer side of the media column and the vertical profile. They therefore provide protection from contaminants and make it simple and fast to wipe clean or disinfect.

**Material:** Plastic PVC-U  
**Surface:** RAL 9016 traffic white  
**Scope of delivery:** 5 hygiene strips



| Installation height | Item number |
|---------------------|-------------|
| 25-25 U (800 mm)    | GN.2020.993 |
| 30-30 U (960 mm)    | GN.2021.993 |
| 35-35 U (1120 mm)   | GN.2022.993 |
| 40-40 U (1280 mm)   | GN.2023.993 |

## Hygiene strips for basic frame “Plus” symbio-cart

The hygiene strips are available for all variants of the basic frame and serve to cover the T-slots on the outer sides of the media column and the vertical profile. They therefore support protection from contaminants and make it simple and fast to wipe clean or disinfect.

**Material:** Plastic PVC-U  
**Surface:** RAL 9016 traffic white  
**Scope of delivery:** 7 hygiene strips



| Installation height    | Item number |
|------------------------|-------------|
| 25-30 U (800-960 mm)   | GN.2025.993 |
| 30-35 U (960-1120 mm)  | GN.2026.993 |
| 35-40 U (1120-1280 mm) | GN.2027.993 |
| 40-45 U (1280-1440 mm) | GN.2028.993 |

# ISOLATING TRANSFORMER

## Isolating transformer symbio-cart

The isolating transformer serves to limit the leakage current, which is hazardous to patients and specialists. Using an isolating transformer ensures safety at the first error and potential-free power supply. All isolating transformers are also optionally available with insulation monitors.

|  |  |
|--|--|
| <b>Power:</b>                            | 1200 VA / 1600 VA / 2000 VA  |
| <b>Input / output voltage:</b>           | at 1200 VA / 1600 VA: 115 V / 115 V or 230 V / 230 V, 50 Hz / 60 Hz switchable,<br>at 2000 VA: 230 V / 230 V, 50 Hz / 60 Hz  |
| <b>Power input:</b>                      | IEC 60320-1 C14 plug to connect country-specific mains supply lines  |
| <b>Type:</b>                             | Toroidal transformer   |
| <b>Limited short-circuit protection:</b> | IEC 61558-1  |
| <b>Inrush current limiting:</b>          | Electronically controlled at rated current   |
| <b>Protection class:</b>                 | I  |
| <b>Withstand voltage:</b>                | PRI – earth: 1500 V AC, SEC – earth: 1500 V AC, PRI – SEC: 4000 V AC   |
| <b>Fuse:</b>                             | Primary, 2-pole with fine wire fuse  |
| <b>Testing:</b>                          | CE designation, NRTL approval for 1600 VA and 2000 VA with insulation monitoring unit  |
| <b>Protection type:</b>                  | IP20   |
| <b>Material:</b>                         | Steel / copper   |
| <b>Surface:</b>                          | RAL 9016 traffic white, powder-coated  |
| <b>Assembly:</b>                         | under the base   |
| <b>Scope of delivery:</b>                | 1 isolating transformer with 1200 VA, 1600 VA or 2000 VA, equipped with on/off switch; Schuko mains supply line, 5m; mains power sockets (input/ output), factory assembly only. |

### Insulation monitoring unit ELG (Earth Leakage Guard) incl. temperature monitoring only possible with media shelf

The insulation monitoring unit generates a visual and acoustic signal which makes the falling insulation resistance of the entire system recognisable when it reaches a critical area using light diodes and sound. The test of the system condition which then becomes possible does not replace the prescribed test/servicing intervals of the individual equipment.

|  |                        |   |              |
|--|------------------------|---|--------------|
| <b>Response value:</b>                     | 53 kOhm ± 5%           | <b>Test resistor:</b>                           | 33 kOhm      |
| <b>Input voltage:</b>                      | 115 V / 230 V AC ± 15% | <b>Alternating current internal resistance:</b> | 220 kOhm     |
|  | 50 Hz / 60 Hz          |   |              |
| <b>Direct current internal resistance:</b> | 320 kOhm               | <b>Measuring dc voltage:</b>                    | 12 V ± 0,3 V |
| <b>Highest measured voltage:</b>           | < 0.5 mA               | <b>Max. deviating dc voltage:</b>               | 250 V DC     |



Example: On/ off switch



Example: Insulation monitoring unit



Example: Isolating transformer

| Isolating transformer with on/ off switch on the media column and 8-socket mains power plug strip | with Insulation monitoring unit | without Insulation monitoring unit |
|---|---------------------------------|------------------------------------|
| Isolating transformer, switchable (115 V / 230 V), power 1200 VA                                  |                                 | <b>ZV.9224.999</b>                 |
| Isolating transformer, switchable (115 V / 230 V), power 1600 VA                                  | <b>ZV.9226.999</b>              | <b>ZV.9225.999</b>                 |
| Isolating transformer, NOT switchable (230 V), power 2000 VA                                      | <b>ZV.9228.999</b>              | <b>ZV.9227.999</b>                 |
| Isolating transformer with on/ off switch on the media shelf and 8-socket mains power plug strip  | with Insulation monitoring unit | without Insulation monitoring unit |
| Isolating transformer, switchable (115 V / 230 V), power 1200 VA                                  |                                 | <b>ZV.9229.999</b>                 |
| Isolating transformer, switchable (115 V / 230 V), power 1600 VA                                  | <b>ZV.9231.999</b>              | <b>ZV.9230.999</b>                 |
| Isolating transformer, NOT switchable (230 V), power 2000 VA                                      | <b>ZV.9233.999</b>              | <b>ZV.9232.999</b>                 |

 **Media shelf with on/ off switch must be ordered separately.**

## Plug strips with on/ off switch for symbio-cart

**Assembly:** In the media column  
**Scope of delivery:** ① mains power plug socket strip, ② Schuko plug socket strip, including on/off switch (on the media column)



| Description   | Power cable | Power plug    | Nominal value  | Item number        |
|---|-------------|---------------|----------------|--------------------|
| ① Mains plug socket strip, 8 outlets with external earth connection line  | without     | IEC 320       | 10 A / 250 VAC | <b>ZV.9234.999</b> |
| ② Schuko plug socket strip, 8 outlets with external earth connection line | 5 m         | DN VDE 0620-1 | 16 A / 250 VAC | <b>ZV.9236.999</b> |

💡 ① ② **On/off switch is mounted on the media column.**

💡 ① **Accompanying power cable must be ordered separately. Mains hand-off is mounted in the media column.**

## Plug strips without on/ off switch for symbio-cart

**Assembly:** In the media column  
**Scope of delivery:** 1 plug strip including assembly material

| Description  | Power cable | Power plug        | Nominal value  | Item number        |
|--|-------------|-------------------|----------------|--------------------|
| ① Mains plug socket strip, 6 outlets with external earth connection line     | without     | IEC 320           | 10 A / 250 VAC | <b>ZV.9238.999</b> |
| ② Mains plug socket strip, 8 outlets with external earth connection line     | without     | IEC 320           | 10 A / 250 VAC | <b>ZV.9239.999</b> |
| ③ Schuko plug socket strip, 6 outlets with external earth connection line    | 5 m         | DN VDE 0620-1     | 16 A / 250 VAC | <b>ZV.9240.999</b> |
| ④ Schuko plug socket strip, 8 outlets with external earth connection line    | 5 m         | DN VDE 0620-1     | 16 A / 250 VAC | <b>ZV.9241.999</b> |
| ⑤ French standard, 6 outlets with external earth connection line             | 5 m         | CEE7, UTE         | 16 A / 250 VAC | <b>ZV.9242.999</b> |
| ⑥ French standard, 8 outlets, with switch and external earth connection line | 5 m         | CEE7, UTE         | 16 A / 250 VAC | <b>ZV.9243.999</b> |
| ⑦ American standard, 6 outlets US Hospital Grade                             | 4.6 m       | UL 1363, UL 1363A | 15 A / 250 VAC | <b>ZV.9244.999</b> |
| ⑧ British standard, 6 outlets with external earth connection line            | 5 m         | BS 1363           | 13 A / 250 VAC | <b>ZV.9245.999</b> |
| ⑨ Chinese standard, 8 outlets with switch                                    | 5 m         | IEC 60884-1, CCC  | 10 A / 250 VAC | <b>ZV.9246.999</b> |
| ⑩ Australian standard, 8 outlets, with external earth connection line        | 5 m         | Type I AS 3112    | 10 A / 250 VAC | <b>ZV.9247.999</b> |

💡 ① ② **Accompanying power cable must be ordered separately. You can find these on page 20.**

# CABLE

## Power cable

Different power cables with and without POAG cable are available for the mains power socket strip.

**Mains power socket:** IEC 320  
**Length:** 5 m  
**Scope of delivery:** 1 power cable

| Description                       | Power plug   | Nominal value  | Item number |
|-----------------------------------|--------------|----------------|-------------|
| ① Power cable Schuko              | CEE7 / VII   | 10 A / 250 VAC | ZV.9809.799 |
| ② Power cable Schuko with POAG    | CEE7 / VII   | 10 A / 250 VAC | ZV.9620.999 |
| ③ Power cable Swiss Standard      | Type 12      | 10 A / 250 VAC | ZV.9798.799 |
| ④ Power cable British Standard    | Type BS 1363 | 10 A / 250 VAC | ZV.9860.799 |
| ⑤ Power cable US Standard         | 3-pole US    | 15 A / 125 VAC | ZV.9770.799 |
| ⑥ Power cable Australian Standard | 2-pole AUS   | 10 A / 250 VAC | ZV.9248.799 |

## Mains power cable

The mains power cable serves to connect the mains power plug socket strip and mains power plug of the device.

**Structure:** IEC mains power plug socket strip --> IEC mains power plug  
**Scope of delivery:** 1 mains power cable

| Description                     | Item number |
|---------------------------------|-------------|
| Mains power cable, length 0.6 m | ZV.9773.799 |
| Mains power cable, length 1.0 m | ZV.9960.799 |
| Mains power cable, length 1.5 m | ZV.9371.799 |
| Mains power cable, length 2.0 m | ZV.9372.799 |
| Mains power cable, length 2.5 m | ZV.9373.799 |

## Adapter cable

Adapter cable between mains power plug and Schuko plug socket strip.

**Structure:** Schuko plug socket strip --> mains power plug  
**Scope of delivery:** 1 adapter cable

| Description                 | Item number |
|-----------------------------|-------------|
| Adapter cable, length 0.3 m | ZV.9959.799 |

# MEDIA SHELF

## Media shelf

The basic version of the media shelf constitutes a shelf with lockable storage function. For instance, cables or also power supply units can be stored securely here. The media shelf can also be used universally to mount the monitor with VESA 75 / 100.

- Installation height:** 2 U (64 mm) / component height: 52 mm  
**Dimensions (W x D):** **W 450:** 450 mm x 490 mm; **W 500:** 500 mm x 490 mm; **W 650:** 650 mm x 490 mm  
**Load capacity:** 30 kg distributed load  
**Material:** Steel / aluminium  
**Surface:** RAL 9016 traffic white, powder-coated  
**Assembly:** In the T-slots of the vertical profile and the media column. Preferably in the topmost position.  
**Scope of delivery:** 1 media shelf, including assembly material, pre-assembled

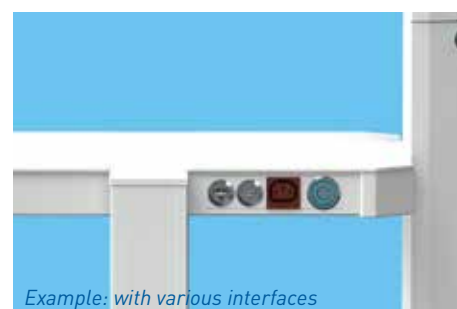


| Description  | W 450              | W 500              | W 650              |
|--|--------------------|--------------------|--------------------|
| ① Media shelf  | <b>GN.4610.921</b> | <b>GN.5110.921</b> | <b>GN.6610.921</b> |
| ② Media shelf with monitor holder, VESA 75 / 100 universal | <b>GN.4611.921</b> | <b>GN.5111.921</b> | <b>GN.6611.921</b> |

## Interfaces media shelf

The media shelf can be added to on the side with selected connections, such as with USB, HDMI or on/ off switch. The media shelf can therefore be expanded into an individual operating console and offers greater ease of use. All connections can also be ordered individually.

- Assembly:** On the side of the media shelf.  
**Scope of delivery:** ① ② ③ ④ 1 interface including assembly material  
 ⑤ factory assembly only



| Interfaces media shelf                   | Item number        |
|--|--------------------|
| ① Blind plugs                            | <b>ZV.9190.999</b> |
| ② RJ45 kat6 - interface                  | <b>ZV.9191.999</b> |
| ③ HDMI - interface                       | <b>ZV.9192.999</b> |
| ④ USB 2.0 - interface                    | <b>ZV.9193.999</b> |
| ⑤ Mains power hand-off with cable relief | <b>ZV.9196.999</b> |

# SHELVES

## Shelves

The shelf symbio-cart is assembled quickly and easily using a hanging solution. In this way, complete earthing of the shelf is ensured. Thanks to its low height of only 18 mm, these shelves offer more room for devices between the system components. The storage shelves also have a spacious footprint and can be ordered both with and without handle.

- Installation height:** 1 U (32 mm) / component height: 18 mm
- Dimensions (W x D):** **W 450:** 450 mm x 490 mm; **W 500:** 500 mm x 490 mm; **W 650:** 650 mm x 490 mm
- Load capacity:** 30 kg distributed load
- Material:** Steel / aluminium
- Surface:** RAL 9016 traffic white, powder-coated
- Decorative trims:** **handle:** See <sup>1)</sup>
- Assembly:** In the T-slots of the vertical profile and the media column.
- Scope of delivery:** 1 shelf, including assembly material, pre-assembled



| Description         | W 450       | W 500       | W 650       |
|---------------------|-------------|-------------|-------------|
| ① Shelf             | GN.4600.921 | GN.5100.921 | GN.6600.921 |
| ② Shelf with handle | GN.4601.XXX | GN.5101.XXX | GN.6601.XXX |

## Pull-out shelf

The pull-out shelf offers rapid access to your devices in case of assembly and service. It can also be used as a keyboard drawer. The pull-out extends to 274 mm and provides access on all sides to the devices there. Snap-in points in drawn-out or inserted position fix the shelf in these positions.

- Installation height:** 3 U (96 mm) / component height: 62 mm
- Load capacity:** 15 kg distributed load
- Material:** Steel / aluminium
- Surface:** RAL 9016 traffic white, powder-coated
- Decorative trims:** **handle:** See <sup>1)</sup>
- Assembly:** In the T-slots of the vertical profile and the media column.
- Scope of delivery:** 1 pull-out shelf, including assembly material, pre-assembled



| Description    | W 450       | W 500       | W 650       |
|----------------|-------------|-------------|-------------|
| Pull-out shelf | GN.4633.XXX | GN.5133.XXX | GN.6633.XXX |

symbio-cart

<sup>1)</sup> Decorative elements: replace .XXX with .921 = RAL 9016 traffic white, .920 = RAL 7016 anthracite grey, .927 = RAL Design 2507025 meadow blue






The symbio-cart drawer is distinguished by a large storage space and a smooth, removable interior body. All drawers have roller-guided pullouts and are easy and comfortable to use. All drawer types for symbio-cart are equipped with a mechanical locking mechanism. It is therefore ensured that the drawers cannot open themselves when going over a doorstep.

|                           |  |
|---------------------------|--|
| <b>Dimensions (WxD)</b>   | <b>W 450:</b> 450 mm x 490 mm; <b>W 500:</b> 500 mm x 490 mm; <b>W 650:</b> 650 mm x 490 mm;   |
| <b>Interior (WxDxH):</b>  | <b>Drawer / lockable drawer W 450:</b> 360 mm x 400 mm x 85 mm;<br><b>W 500:</b> 410 mm x 400 mm x 85 mm; <b>W 650:</b> 510 mm x 400 mm x 85 mm<br><b>Drawer high: W 450:</b> 360 mm x 400 mm x 180 mm; <b>W 500:</b> 410 mm x 400 mm x 180 mm<br><b>W 650:</b> 510 mm x 400 mm x 180 mm |
| <b>Load capacity:</b>     | 3 kg distributed load  |
| <b>Material:</b>          | Steel / aluminium / plastic  |
| <b>Surface:</b>           | RAL 9016 traffic white, powder-coated  |
| <b>Decorative trims:</b>  | <b>handle:</b> See <sup>1)</sup>   |
| <b>Assembly:</b>          | In the T-slots of the vertical profile and the media column.   |
| <b>Scope of delivery:</b> | 1 drawer, including assembly material, pre-assembled   |



| Description            | W 450       | W 500       | W 650       |
|------------------------|-------------|-------------|-------------|
| ① Drawer               | GN.4640.XXX | GN.5140.XXX | GN.6640.XXX |
| ② Drawer, lockable     | GN.4642.XXX | GN.5142.XXX | GN.6642.XXX |
| ③ Drawer, single, high | GN.4641.XXX | GN.5141.XXX | GN.6641.XXX |

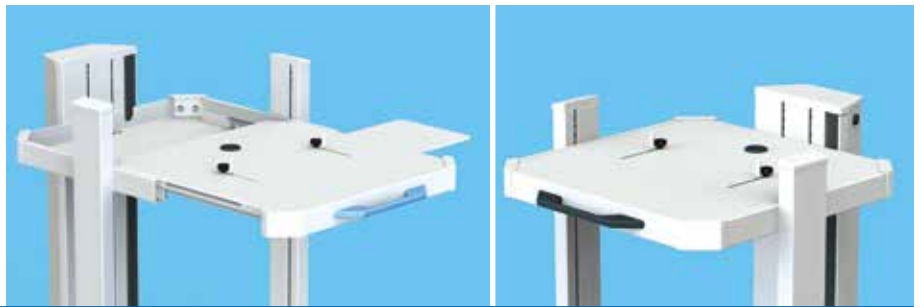
 **You need a shelf with the corresponding width as an upper part!**  
**This is not part of the delivery.**

# KEYBOARD DRAWER / PUSH HANDLE

## Keyboard drawer

The keyboard drawer is distinguished by its full extension of 274 mm. The keyboard is prevented from slipping backwards by two adjustable stops. When pulling out or pushing in the keyboard drawer, the cables of the keyboard and mouse are taken safely along with it. The integrated mouse pad can be pulled out to the right and to the left. Suitable for keyboards with a height of up to 250 mm. Integrated handles are an additional decorative element.

- Installation height:** 4 U (128 mm) / component height: 90 mm
- Load capacity:** 10 kg distributed load
- Material:** Steel / aluminium
- Surface:** RAL 9016 traffic white, powder-coated
- Decorative trims:** handle: See <sup>1)</sup>
- Assembly:** In the T-slots of the vertical profile and the media column.
- Scope of delivery:** 1 pull-out keyboard drawer, including assembly material, pre-assembled

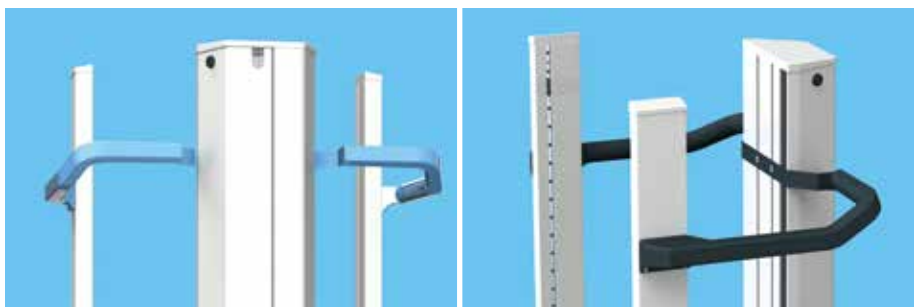


| Description     | W 450       | W 500       | W 650       |
|-----------------|-------------|-------------|-------------|
| Keyboard drawer | GN.4650.XXX | GN.5150.XXX | GN.6650.XXX |

## Push handle

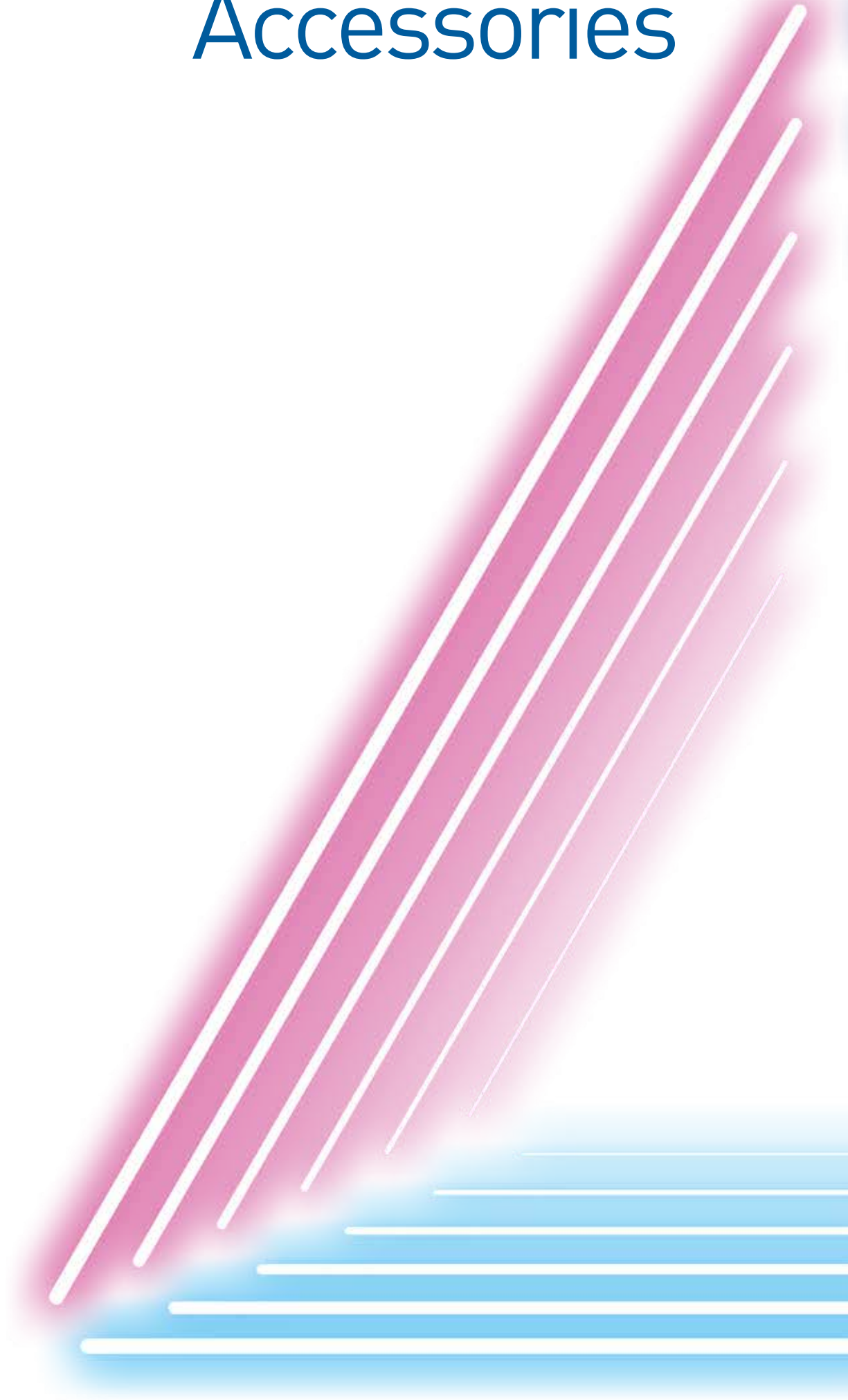
The revolving, high quality handle makes it possible to flexibly choose the pushing side to safely move the equipment cart. With space-saving fitting between the three columns, the devices can be placed where you want.

- Installation height:** 3 U (96 mm) / component height: 56 mm
- Material:** Aluminium / steel
- Surface:** See <sup>1)</sup>
- Assembly:** In the T-slots of the vertical profile and the media column.
- Scope of delivery:** 1 handle, including assembly material, pre-assembled



| Description | W 450       | W 500       | W 650       |
|-------------|-------------|-------------|-------------|
| Push handle | GN.4660.XXX | GN.5160.XXX | GN.6660.XXX |

# Accessories



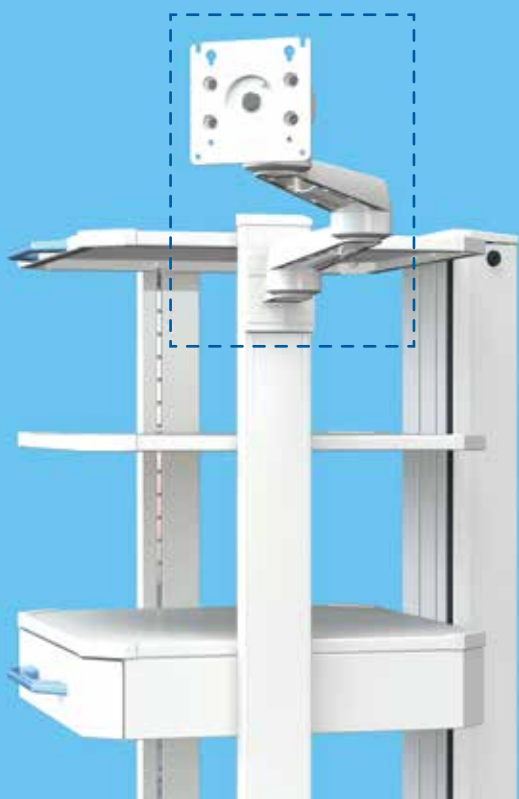
# MONITOR HOLDERS & SWIVEL ARMS AND HEIGHT-VARIABLE SUPPORT ARMS

Various supporting arms and monitor holders can be selected to equip your overall system with monitors. Using the support arms, the user is able to optimally set the positioning of the monitor. The simplicity of the movement and precision of the individual positions are decisive for the user. Suitable for the symbio-cart and your monitor mount, ITD offers an extensive product portfolio of fixed, swivelling and height-variable support arms. The support arms match the equipment carts both visually and in terms of quality, and offer a valuable addition when using monitors.

---

 **Stability pursuant to EN60601-1 must be provided for proper use of the equipment carts in conjunction with support arms. We will be happy to advise you on the stability of your equipment cart.**

---

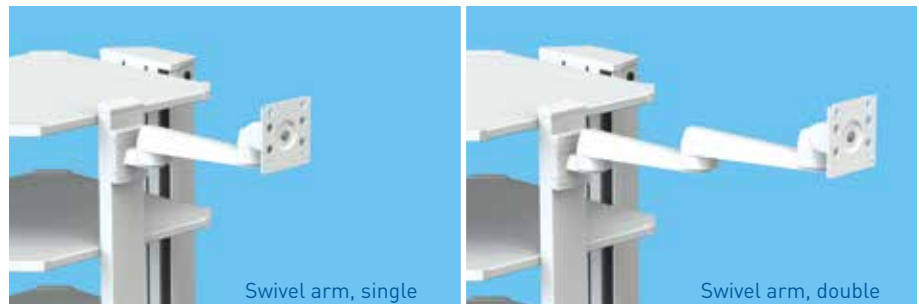


# CONNECTION - TO VERTICAL PROFILES

## Swivel arm with VESA 75 / 100 Adaption

The swivel arm rm-port (single, double) is equipped with a rotation and swivel unit with VESA 75 / 100 Adaption for particularly user-friendly positioning of the monitors. Interior cable channels with cable relief make it possible to include various types of cable. Large radii of action cover an extensive work area, depending on the variant. The spring-supported holder can be tilted by  $\pm 20^\circ$ , swivelled by  $\pm 90^\circ$  and rotated by  $\pm 5^\circ$ . The monitor can be tilted with little force thanks to the spring support.

|                             |   |
|-----------------------------|---|
| <b>Installation height:</b> | 3 U (96 mm)   |
| <b>Material:</b>            | Steel / aluminium                                     |
| <b>Surface:</b>             | RAL 9016 traffic white, powder-coated                 |
| <b>Assembly:</b>            | On the outside of the vertical profiles, left / right |
| <b>Scope of delivery:</b>   | 1 swivel arm, including assembly material             |



| Description                             | Monitor weight<br>0-14 kg | Monitor weight<br>14-18 kg |
|---|---------------------------|----------------------------|
| Swivel arm, single, L = 250 mm          | TH.2170.993               | TH.2172.993                |
| Swivel arm, single, L = 325 mm          | TH.2171.993               | TH.2173.993                |
| Swivel arm, double, L = 250 mm + 250 mm | TH.2260.993               | TH.2262.993                |
| Swivel arm, double, L = 325 mm + 325 mm | TH.2261.993               | TH.2263.993                |

 **You require a separate fastening set to fasten it.**

|               |             |
|---------------|-------------|
| Fastening set | ZV.9731.999 |
|---------------|-------------|

## Height-variable swivel arm with VESA 75 / 100 Adaption

With the height-variable support arm flexion-port, bulky, clickable cable channels allow various cables to be accommodated. Configurable swivel joints and a brake function ensure precise positioning. The monitor holder can be tilted by  $\pm 20^\circ$ , swivelled by  $\pm 90^\circ$  and rotated by  $\pm 5^\circ$ . The monitor can be tilted with little force thanks to the spring support.

|                             |   |
|-----------------------------|---|
| <b>Installation height:</b> | 5 U (160 mm)  |
| <b>Material:</b>            | Steel / aluminium                                     |
| <b>Surface:</b>             | RAL 9016 traffic white, powder-coated                 |
| <b>Assembly:</b>            | On the outside of the vertical profiles, left / right |
| <b>Scope of delivery:</b>   | 1 support arm, including assembly material            |



| Description                             | Monitor weight<br>3-10 kg | Monitor weight<br>8-14 kg |
|---|---------------------------|---------------------------|
| Height variable support arm; L = 300 mm | HA.2200.921               | HA.2207.921               |
| Height variable support arm; L = 400 mm | HA.2201.921               | HA.2208.921               |

 **You require a separate fastening set to fasten it.**

|               |             |
|---------------|-------------|
| Fastening set | ZV.9731.999 |
|---------------|-------------|

# CONNECTION - TO MEDIA COLUMN

## Monitor holder with VESA 75 / 100 Adaption, universal

Monitor holder with VESA 75 / 100 Adaption, universal is mounted directly on the media column and accommodates monitors up to max. 14 kg. The monitor holder can be tilted by  $\pm 20^\circ$  and turned by  $\pm 20^\circ$ .

- Material:** Steel / aluminium
- Surface:** RAL 9016 traffic white, powder-coated
- Assembly:** On the media column
- Scope of delivery:** 1 monitor holder, including assembly material



| Description   | Item number |
|---|-------------|
| Monitor holder with VESA 75 / 100 Adaption, universal | TH.2028.993 |

## Double monitor holder with VESA 75 / 100 Adaption, universal

The double monitor holder is mounted directly on the media column and can accommodate two monitors with a weight of up to 14 kg each. The monitors can be adjusted individually for the optimum viewing angle. The double monitor holder is only available in combination with the basic frame "Plus". Each monitor holder can be tilted by  $\pm 15^\circ$  and turned by  $\pm 170^\circ$ .

- Material:** Steel / aluminium
- Surface:** RAL 9016 traffic white, powder-coated
- Assembly:** On the media column
- Scope of delivery:** 1 double monitor holder, including assembly material



| Description  | Item number |
|--|-------------|
| Double monitor holder with VESA 75 / 100 Adaption, universal | GN.2012.993 |

# CONNECTION - ON MEDIA COLUMN

## Monitor holder with VESA 75 / 100 Adaption, universal

Monitor holder with VESA 75 / 100 Adaption, universal is mounted directly on the media column and accommodates monitors up to max. 14 kg. The monitor holder can be tilted by  $\pm 15^\circ$  and turned by  $\pm 170^\circ$ .

**Material:** Steel / aluminium  
**Surface:** RAL 9016 traffic white, powder-coated  
**Assembly:** On the media column  
**Scope of delivery:** 1 monitor holder, including assembly material

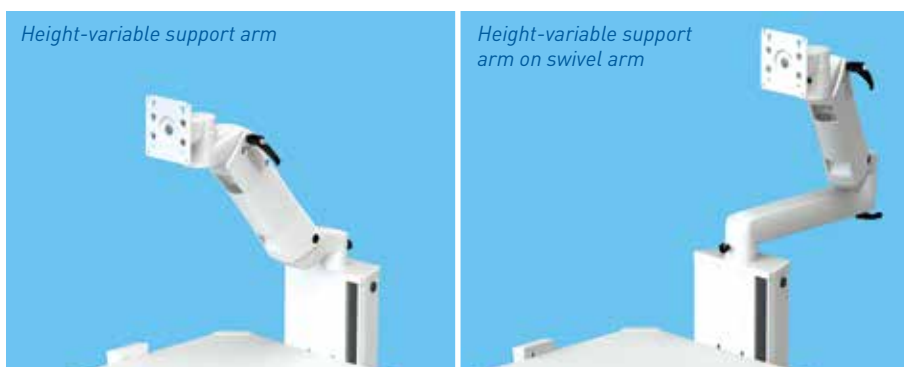


| Description   | Item number |
|---|-------------|
| Monitor holder with VESA 75 / 100 Adaption, universal | GN.2002.993 |

## Height-variable swivel arm with VESA 75 / 100 Adaption

Height-variable support arm flexion-port combined with swivel arm allow for greater action radii. Clickable cable channels make it easier to route cables from the device in the media column. Configurable swivel joints and a brake function ensure precise positioning. An integrated locking bolt on the support arm or swivel arm allows for safe transport. The support arm's swivel area is  $\pm 110^\circ$  and the area of the support arm on swivel arm is  $\pm 117^\circ$ . The monitor holder can be tilted by  $\pm 20^\circ$ , swivelled by  $\pm 90^\circ$  and rotated by  $\pm 5^\circ$ .

**Material:** Steel / aluminium  
**Surface:** RAL 9016 traffic white, powder-coated  
**Assembly:** On the media column  
**Scope of delivery:** 1 support arm, including assembly material



| Height-variable support arm with VESA 75 / 100 Adaption               | Monitor weight 3-10 kg | Monitor weight 8-14 kg |
|---|------------------------|------------------------|
| Length = 300 mm   | HA.2311.921            | HA.2312.921            |
| Length = 400 mm   | HA.2313.921            | HA.2314.921            |
| Height-variable support arm on swivel arm with VESA 75 / 100 Adaption | Monitor weight 3-10 kg | Monitor weight 8-14 kg |
| Length = 300 mm + 350 mm  | HA.2307.921            | HA.2308.921            |
| Length = 400 mm + 350 mm  | HA.2309.921            | HA.2310.921            |

# STORAGE BASKETS / POWER SUPPLY UNIT HOLDERS

## Storage baskets

For storing accessories.

① Storage basket, conical. Dimensions: W 305 mm, D 205 mm, H 150 mm

**Load capacity:** 3 kg

**Material:** Steel

**Surface:** RAL 9016 white, whirl sintering

**Assembly:** On the outside of the vertical profiles, left / right

**Scope of delivery:** 1 storage basket including assembly material

② Storage basket, conical, small. Dimensions: W 205 mm, D 93 mm, H 150 mm

**Load capacity:** 3 kg

**Material:** Steel

**Surface:** RAL 9016 traffic white, powder-coated

**Assembly:** On the outside of the vertical profiles, left / right

**Scope of delivery:** 1 storage basket including assembly material



| Description                      | Installation height | Item number |
|----------------------------------|---------------------|-------------|
| ① Storage basket, conical        | 5 U (160 mm)        | ZV.9967.993 |
| ② Storage basket, conical, small | 5 U (160 mm)        | ZV.9892.993 |

## Power supply unit holders

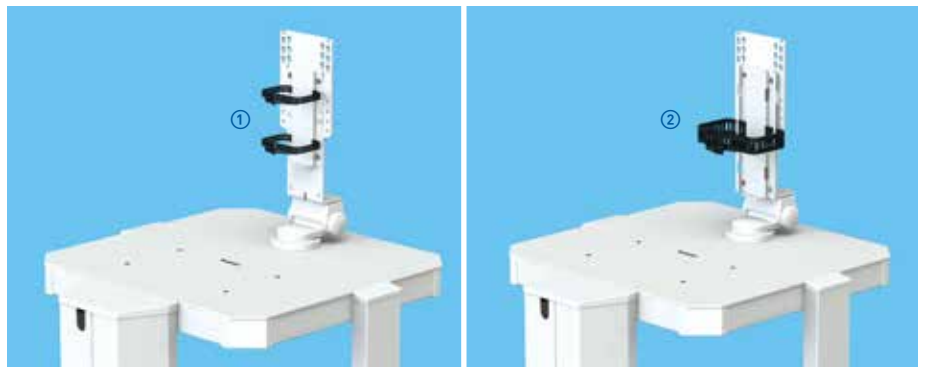
Depending on the model, the holder is designed to accommodate power supply units with a maximum size of 420 mm. It can be fastened both to the back of the universal monitor holder with VESA 75 / 100 Adaption and also on the side vertical profiles of the symbio-cart.

**Load capacities:** **small:** up to max. 3 kg; **large:** up to max. 5 kg

**Material:** Sheet steel

**Surface:** RAL 9016 traffic white, powder-coated

**Scope of delivery:** 1 power supply unit holder including assembly material



| Description                                 | max. size | Installation height | Item number |
|---|-----------|---------------------|-------------|
| ① Power supply unit holder universal, small | 250 mm    | 5 U (160 mm)        | TS.0524.993 |
| ② Power supply unit holder universal, large | 420 mm    | 7 U (160 mm)        | TS.0574.993 |

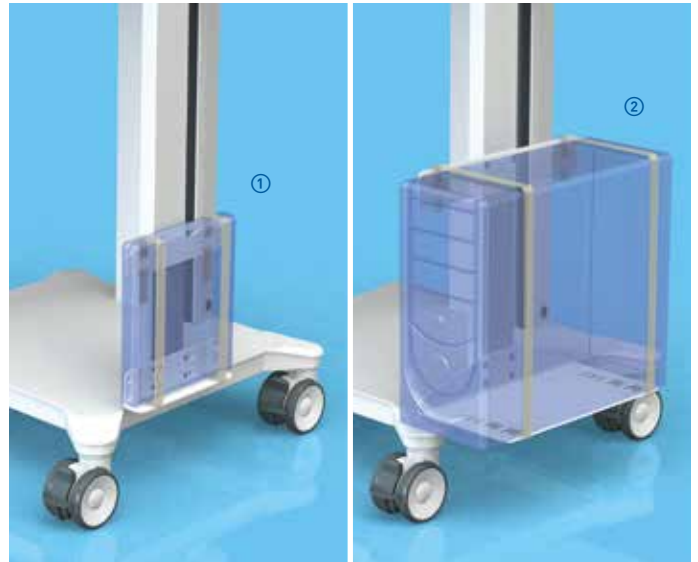


# COMPUTER HOLDERS

## Computer holders

These holders are designed for computers of different sizes and, thanks to their two straps, guarantee that they can be individually adapted as well as stable when standing and secure during transport.

**Material:** Steel  
**Surface:** RAL 9016 traffic white, powder-coated  
**Assembly:** On the outside of the vertical profiles, left / right  
**Scope of delivery:** 1 computer holder including assembly material, pre-assembled



| Description              | Load capacity | Item number |
|--------------------------|---------------|-------------|
| ① Computer holder, small | 5 kg          | TS.6144.993 |
| ② Computer holder, large | 20 kg         | TS.6146.993 |

# ENDOSCOPY HOLDERS

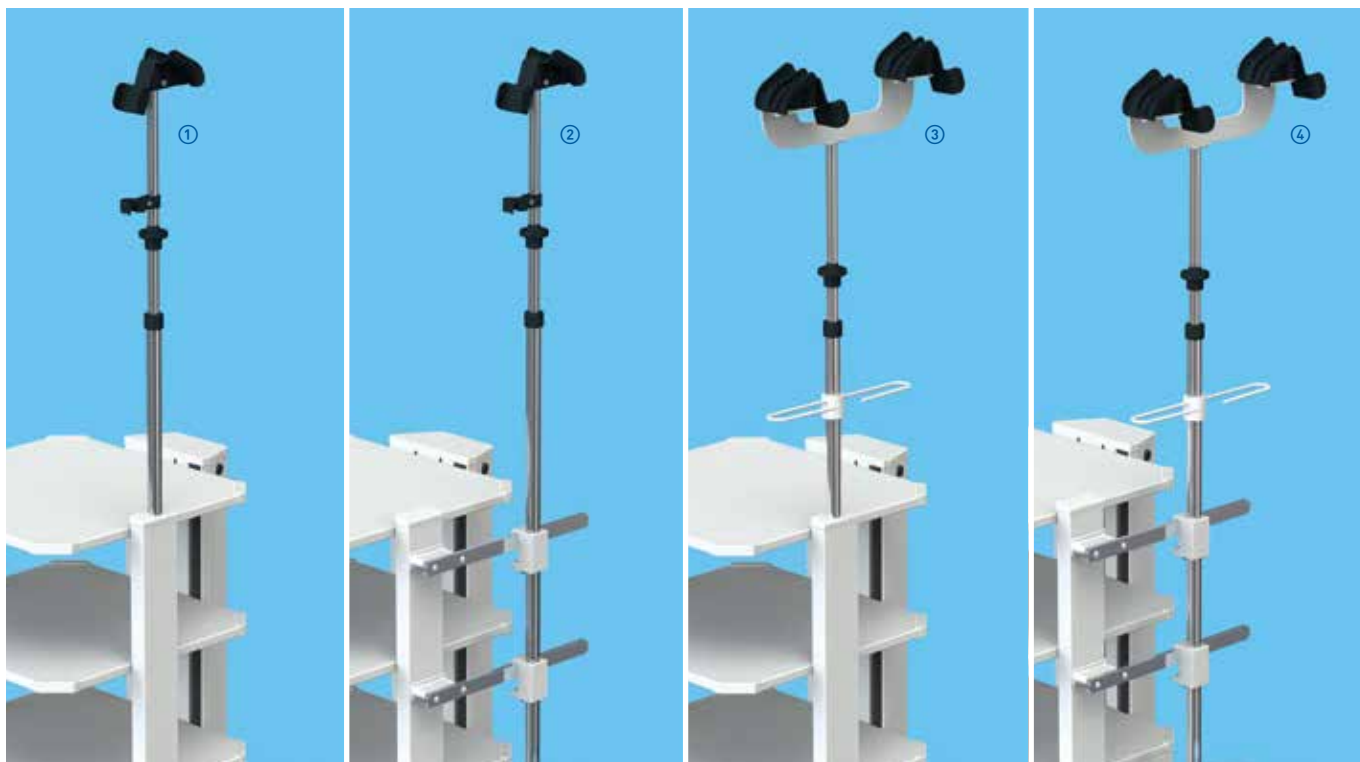
## Endoscopy holder, single or double

The endoscopy holders provide secure and kink-free inclusion of endoscopes from all common makes. Thanks to the height adjustability, endoscopes up to 2 m long can be accommodated. The additional holder on the telescopic rod is height-adjustable and serves as fixing and protection.

**Material:** **Overlay:** Plastic polypropylene; **Holder:** Plastic polypropylene glass fibre reinforced;  
**Telescopic rod:** Chrome-plated steel

**Assembly:** ① and ③ in the vertical profile left / right  
 ② and ④ on two standard rails

**Scope of delivery:** 1 endoscopy holder including assembly material



| Description  | Item number        |
|--|--------------------|
| ① Endoscopy holder, single, in the vertical profile left / right | <b>GN.2004.999</b> |
| ② Endoscopy holder, single, on standard rails                    | <b>GW.0868.993</b> |
| ③ Endoscopy holder, double, in the vertical profile left / right | <b>GN.2005.993</b> |
| ④ Endoscopy holder, double, on standard rails                    | <b>GW.0870.993</b> |

 **You can find standard rails on page 37.**

# DRIP BOWL / PLUG HOLDER

## Drip bowl

The drip bowl, with a max. content of 600 ml, can be easily mounted on the vertical profile. The height-adjustable drip bowl can be fixed to the telescopic rod of the endoscope holder.

- Material:** Drip bowl: Plastic polypropylene, temperature resistant up to 135°C; holder: Steel  
**Surface:** Drip bowl: naturally transparent; holder: RAL 9016 traffic white, powder-coated  
**Assembly:** ① On the outside of the vertical profiles, left / right  
② Middle of the fixing support directly on the telescopic rod of the endoscope holder  
**Scope of delivery:** 1 drip bowl including fixing and assembly material



| Description                         | Item number |
|-------------------------------------|-------------|
| ① Drip bowl on the vertical profile | ZV.9963.993 |
| ② Drip bowl on the endoscope holder | ZV.9986.993 |

## Plug holder

The plug holder allows up to three endoscope plugs to be safely accommodated.

- Material:** Plastic  
**Assembly:** On the outside of the vertical profiles, left / right  
**Scope of delivery:** 1 plug holder including assembly material



| Description | Item number |
|-------------|-------------|
| Plug holder | ZV.9833.999 |

# TUBE / CAMERA / UNIVERSAL HOLDER

## Tube holder

The holder can accommodate tubes from e.g. suction pumps with a diameter of Ø 6 mm to Ø 14 mm.

**Material:** Stainless steel  
**Assembly:** On the outside of the vertical profiles, left / right  
**Scope of delivery:** 1 tube holder including assembly material



| Description | Item number |
|-------------|-------------|
| Tube holder | GN.2013.999 |

## Camera holder

① Camera holder for simple inclusion of camera heads on the eye piece.  
 ② Camera holder for simple inclusion of camera heads on the eye piece and storage in beaker. This variant provides secure storage for the expensive, high quality endoscope camera heads and the cable winder can be used to guide the cables.

**Material:** Camera holder: plastic; console: Steel  
**Surface:** Camera holder: RAL 7016 anthracite grey, console: RAL 9016 traffic white, powder-coated  
**Assembly:** On the outside of the vertical profiles, left / right  
**Scope of delivery:** 1 camera holder including assembly material



| Description                 | Item number |
|-----------------------------|-------------|
| ① Camera holder             | GW.9990.999 |
| ② Camera holder with beaker | ZV.9199.993 |

## Universal holder

The universal holder serves to store ultrasound probes and bar code scanners from common manufacturers and protects these from damage during transport.

**Material:** Universal holder: plastic; console: Steel  
**Surface:** Universal holder: RAL 7016 anthracite grey  
 Console: RAL 9016 traffic white, powder-coated  
**Assembly:** On the outside of the vertical profiles, left / right  
**Scope of delivery:** 1 universal holder including assembly material



| Description      | Item number |
|------------------|-------------|
| Universal holder | ZV.9198.993 |

# CLEANER / GEL / BOTTLE HOLDER

## Cleaner bottle holder

The holder can be fixed to the side of the vertical profile to accommodate a cleaner bottle.

- Load capacity:** 5 kg
- Material:** Stainless steel
- Assembly:** On the outside of the vertical profiles, left / right
- Scope of delivery:** 1 cleaner bottle holder including assembly material



| Description           | Item number |
|-----------------------|-------------|
| Cleaner bottle holder | GN.2014.999 |

## Gel bottle holder

This holder is suitable for gel bottles up to Ø 60 mm.

- Material:** Steel
- Surface:** RAL 9016 traffic white, powder-coated
- Assembly:** On the outside of the vertical profiles, left / right
- Scope of delivery:** 1 gel bottle holder including assembly material



| Description       | Item number |
|-------------------|-------------|
| Gel bottle holder | GW.0800.993 |

## Bottle holder

These holders allow for bottles of different sizes to be accommodated. They are suitable to hold a 1 L cleaner bottle (Ø 120 mm) or a 2 L secretion glass (Ø 145 mm).

- Load capacity:** 5 kg
- Material:** Steel
- Surface:** RAL 9016 traffic white, powder-coated
- Assembly:** On the outside of the vertical profiles, left / right
- Scope of delivery:** 1 bottle holder including assembly material



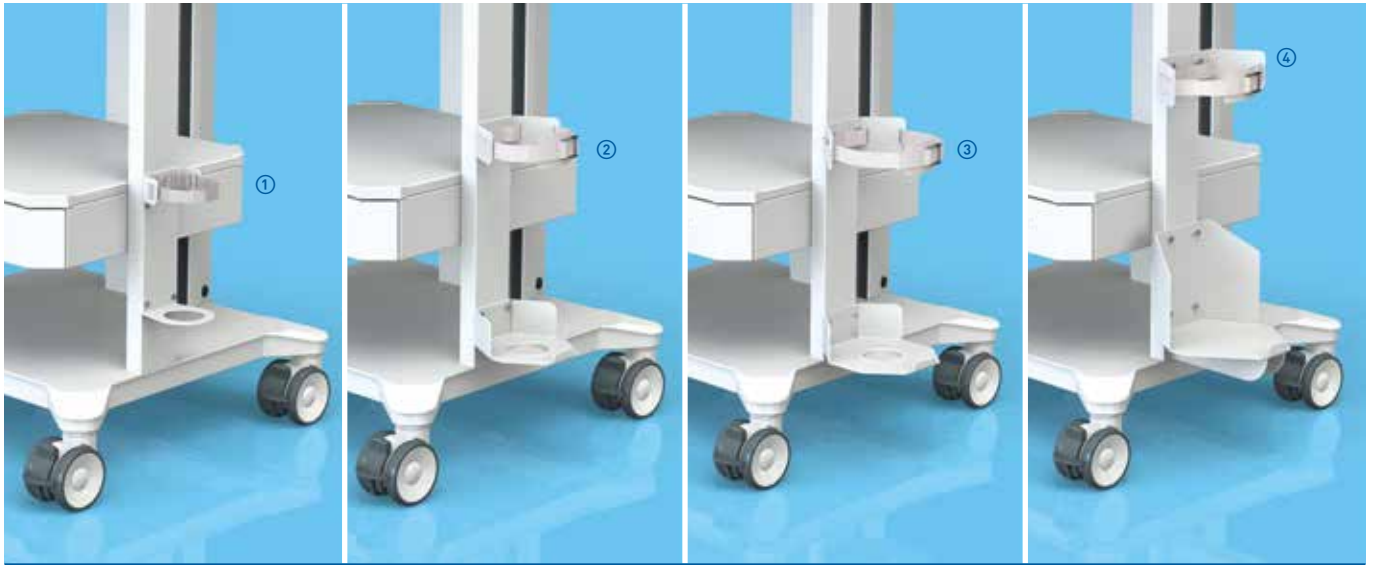
| Description            | Item number |
|------------------------|-------------|
| Bottle holder Ø 120 mm | GW.0400.993 |
| Bottle holder Ø 145 mm | GW.0401.993 |

# GAS BOTTLE HOLDER


## Gas bottle holder

The gas bottle holder is mounted on the vertical profile.

**Material:** Steel  
**Surface:** RAL 9016 traffic white, powder-coated  
**Assembly:** On the outside of the vertical profiles, left / right  
**Scope of delivery:** 1 gas bottle holder including assembly material, pre-assembled



| Gas bottle holder for | Content in litres | Load capacity | Item number        |
|-----------------------|-------------------|---------------|--------------------|
| ① max. Ø 100 mm       | 2 L               | 15 kg         | <b>GW.0466.993</b> |
| ② max. Ø 145 mm       | 3 L / 5 L / 10 L  | 20 kg         | <b>GW.0160.993</b> |
| ③ max. Ø 175 mm       | 10 L / 20 L       | 20 kg         | <b>GW.0890.993</b> |
| ④ max. Ø 205 mm       | 20 L              | 50 kg         | <b>GW.0285.993</b> |

 **Stability pursuant to EN60601-1 must be provided for proper use of the equipment carts in conjunction with gas bottle holders. We will be happy to advise you on the stability of your equipment cart. For gas bottle holders from 5 L, we recommend assembly on the lowest position of the vertical profile.**

# INFUSION STAND / STANDARD RAILS

## Infusion stand

The infusion stand is equipped with a 4-arm safety bottler holder and can be height adjusted by 870 mm.

**Material:** Steel  
**Assembly:** In the vertical profiles, left / right  
**Scope of delivery:** 1 infusion stand including assembly material



| Description                               | Load capacity | Item number        |
|---|---------------|--------------------|
| ① Infusion stand with one-hand adjustment | 4 x 2 kg      | <b>GN.2003.999</b> |
| ② Infusion stand                          | 4 x 5 kg      | <b>GN.2015.999</b> |

## Standard rail

The standard rail can be mounted on the side of the vertical profile.

**Installation height:** 1 U (32 mm)  
**Dimensions:** D 10 mm x H 25 mm x L 390 mm  
**Load capacity:** 10 kg  
**Material:** Stainless steel  
**Assembly:** On the outside of the vertical profiles, left / right  
**Scope of delivery:** 1 standard rail with adapter, including assembly material



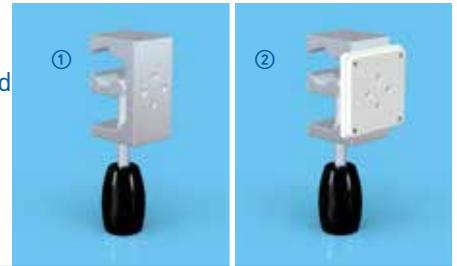
| Description   | Item number        |
|---------------|--------------------|
| Standard rail | <b>GW.9801.993</b> |

# RETAINING CLAWS / CLAMPS / RAIL FIXINGS

## Retaining claw fixed or rotatable

The retaining claw serves to accommodate medical equipment on standard rails as well as on circular tubes with a max diameter of Ø 38 mm. Using the rotatable variant, it is possible to quickly switch between vertical and horizontal directions. The horizontal and vertical mounting dimension amounts to 22 mm.

**Load capacity:** 5 kg  
**Material:** Retaining claw: Aluminium; adapter panel: steel  
**Surface:** Retaining claw: anodised;  
 Adapter panel: RAL 9016 traffic white, powder-coated  
**Assembly:** On the standard rail or on the vertical circular tube  
**Scope of delivery:** 1 retaining claw



| Description                                    | Item number |
|--|-------------|
| ① Retaining claw, fixed                        | ZV.9820.799 |
| ② Retaining claw, rotatable with adapter panel | TS.6286.993 |

## Clamp

The clamp serves to accommodate accessories on the standard rails with an external diameter of Ø 16 mm or Ø 18 mm.

**Material:** Aluminium  
**Surface:** RAL 9016 traffic white, powder-coated  
**Assembly:** On standard rail  
**Scope of delivery:** 1 clamp



| Description            | for Ø 16 mm | for Ø 18 mm |
|------------------------|-------------|-------------|
| Clamp on standard rail | ZV.9876.993 | ZV.9877.993 |

## Rail fixing

The rail fixing serves to mount accessories with a diameter of Ø 25 mm to the standard rail.

- ① Used in pairs for variable fixing of infusion stands or endoscope holders on standard rails.
- ② Use in combination with ①, if a drip bowl should be screwed on.

**Material:** Aluminium  
**Surface:** RAL 9016 traffic white, powder-coated  
**Assembly:** On standard rail  
**Scope of delivery:** 1 rail fixing



| Description  | Item number |
|--|-------------|
| ① Rail fixing on standard rail, accommodates Ø 25 mm | ZV.9957.993 |
| ② Rail fixing for drip bowl, accommodates Ø 25 mm    | ZV.9958.993 |



# HOLDER FOR SUCTION UNITS / ADAPTER PIECES

## Holder for suction units

There are appropriate holders available to professionally include suction units from various manufacturers.

|                             |   |
|-----------------------------|---|
| <b>Installation height:</b> | 3 U (96 mm)   |
| <b>Material:</b>            | Steel   |
| <b>Surface:</b>             | RAL 9016 traffic white, powder-coated                 |
| <b>Assembly:</b>            | On the outside of the vertical profiles, left / right |
| <b>Scope of delivery:</b>   | 1 holder including assembly material                  |



| Description              | Ergoline / Strässle<br>Ø 25.5 mm | Hellige / KISS<br>Ø 30 mm | Custo med<br>Ø 25 mm |
|--------------------------|----------------------------------|---------------------------|----------------------|
| Holder for suction units | GW.0570.993                      | GW.0702.993               | GW.0579.993          |

 **Stability pursuant to EN60601-1 must be provided for proper use of the equipment carts in conjunction with suction unit holders. We will be happy to advise you on the stability of your equipment cart.**

## Adapter pieces

The adapter pieces serve to accommodate mounting parts and - depending on the model - have an inside diameter of 16 mm or 18 mm.

|                           |   |
|---------------------------|---|
| <b>Material:</b>          | Stainless steel   |
| <b>Assembly:</b>          | In the vertical profiles, left / right                    |
| <b>Scope of delivery:</b> | 1 adapter piece including assembly material and cover cap |



| Description                    | Ø inside 16 mm | Ø inside 18 mm |
|--------------------------------|----------------|----------------|
| Adapter piece, Ø outside 25 mm | GN.2016.999    | GN.2017.999    |

# FOOT SWITCH SUSPENSION / ARTICULATED ARMS

## Foot switch suspension

The suspension is fixed on the vertical profile and serves to securely accommodate a foot switch.

- Material:** Steel
- Surface:** RAL 9016 traffic white, powder-coated
- Assembly:** On the outside of the vertical profiles, left / right
- Scope of delivery:** 1 foot switch suspension including assembly material



| Description            | Item number |
|------------------------|-------------|
| Foot switch suspension | ZV.9991.993 |

## Articulated arms

The articulated arms can be used to accommodate small devices and are available both with and without hose clamps. An adapter piece must also be ordered for the fixing.

- ① Articulated arm with hose clamps. Joint clamp with rotating handles.
- ② Articulated arm with two rotating joints, rotatable by approx. 230°, incrementally adjustable with quick action closure knobs

- Load capacity:** 1 kg
- Material:** ① Aluminium; ② Stainless steel / plastic
- Surface:** ① Matt chrome, anodised finish; ② polished
- Assembly:** In the vertical profiles, left / right
- Scope of delivery:** 1 articulated arm including assembly material



| Description  | Outreach max.  | Item number |
|--|----------------|-------------|
| ① Articulated arm with hose clamps, trunnions Ø 16 mm  | approx. 900 mm | ZV.9955.799 |
| ② Articulated arm for small devices, trunnions Ø 18 mm | approx. 890 mm | ZV.9680.999 |

# CABLE HOLDER / CABLE WINDER

## Cable holder

The cable holder provides secure and careful accommodation of fibre optic cables, e.g. glass fibre cables. The large diameter of the circumferential cylinder (Ø 130 mm) prevents kinks forming in the sensitive cables.

- Material:** Plastic / steel  
**Surface:** White / RAL 9016 traffic white, powder-coated  
**Assembly:** On the inside of the vertical profiles, left / right  
**Scope of delivery:** 1 cable holder including assembly material

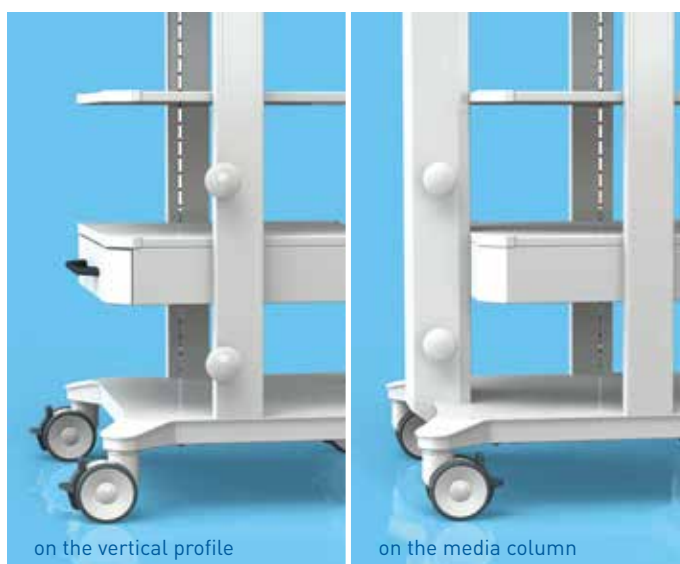


| Description  | Item number |
|--------------|-------------|
| Cable holder | GW.9807.993 |

## Cable winder

The cable winders are fixed to the media column or on the vertical profile of the equipment cart and can accommodate cables with a length of up to 5 m.

- Material:** Plastic  
**Surface:** RAL 9016 traffic white, powder-coated  
**Assembly:** On the outside of the vertical profiles, left / right; on the outside of the media column  
**Scope of delivery:** 2 cable winders including assembly material



| Description   | Item number |
|---------------|-------------|
| Cable winders | FC.0253.993 |

# POTENTIAL EQUALISATION

## Potential equalisation plug POAG-S6 DIN 42801

Specialists and patients are at risk from uncontrolled leakage currents occurring. These are caused by potential differences between electric equipment and external, conductive parts in medical-use rooms. The safest solution is to install a potential equalisation.

**Material:** Steel / brass nickel-plated

**Scope of delivery:** ① 1x plug POAG-S6 DIN 4280, 1x colour marking disc yellow / green  
 ① 8x plug POAG-S6 DIN 4280, 8x colour marking disc yellow / green  
 ① ② including mounting holder with assembly material



| Description               | Item number |
|---------------------------|-------------|
| ① POAG plug               | ZV.9940.999 |
| ② Panel with 8 POAG plugs | GN.2006.999 |

## Potential equalisation cable POAG

The potential equalisation cable POAG serves to connect installed components to the equipment cart with the potential equalisation plug.

**Material:** POAG socket: Brass nickel-plated; **cable:** copper

**Scope of delivery:** 1 cable with angled socket both sides



| Description                                     | Item number |
|---|-------------|
| Potential equalisation cable POAG, length 0.3 m | ZV.9941.999 |
| Potential equalisation cable POAG, length 0.5 m | ZV.9942.999 |
| Potential equalisation cable POAG, length 1.0 m | ZV.9943.999 |
| Potential equalisation cable POAG, length 1.5 m | ZV.9488.999 |
| Potential equalisation cable POAG, length 5.0 m | ZV.9944.999 |

# FIXING MATERIAL

## Spring nuts M6

The spring nuts can be clipped in at a preferred location in the outer T-slots and serve to fix system components and accessories.

**Material:** Steel / Nirosta 4310  
**Surface:** galvanised  
**Scope of delivery:** 50 items



| Description    | Item number |
|----------------|-------------|
| Spring nuts M6 | ZV.9851.999 |

## Fixing corners

These self-adhesive or screw-on fixing corners secure positioned devices against slipping and can be mounted on the shelf or on the base. Its design also makes it suitable underneath devices with very flat feet - e.g. printers.

**Surface:** RAL 9016 traffic white, powder-coated  
**Scope of delivery:** 4 fixing corners including assembly material



| Description    | Item number |
|----------------|-------------|
| Fixing corners | FC.0221.993 |







DS.0205.799 - EN - 0,5' - Datadruck 10/19 - Printed in Germany. All rights to make changes reserved.



ITD GmbH  
Sportplatzstraße 3  
84381 Johanniskirchen  
Germany



Fon: +49 89 61 44 25-0  
Fax: +49 89 61 44 25-200



[www.itd-cart.com](http://www.itd-cart.com)  
[sales@itd-cart.com](mailto:sales@itd-cart.com)