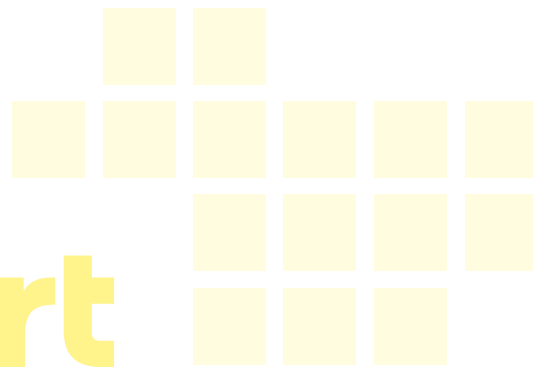


vexio-cart



ADJUSTED TO SITUATION AND SPACE

The **vexio-cart** is a modern, single-column equipment cart with a maximum load of up to 65 kg/143 lbs. This compact equipment cart has a modular configuration, which can be equipped with numerous system and accessory components. The **vexio-cart** is also available with an optional 660 VA isolating transformer, mechanical height adjustment and various decorative elements. Depending on the electrification requirements of your medical applications, the **vexio-cart** offers three variations of the basic frame: Economy, Profi and Plus.

The “Economy” **vexio-cart** is the basic version, which can be extended as required with various individual components. The “Profi” **vexio-cart** combines system components, such as an electric box and cable ducts, to provide you with an ordered cable management system for your device. The **vexio-cart** “Plus” offers a support column with a front-opening extrusion. This allows for the additional option of placing power outlets and electrical cabling within the support column.

NEW!

vexio-cart



ADJUSTED TO SITUATION AND SPACE

vexio-cart



The **vexio-cart** offers a slim and attractive design, as well as a modular construction that can be expanded at any point with additional system components and accessories.

The **vexio-cart** can be used for any number of applications within a clinical setting, such as in anaesthesia, physiotherapy, ultrasound diagnostics etc.



■ vexio-cart Application for stress test ECG



■ vexio-cart Application for peripheral pressure analysis



■ vexio-cart Application for endoscopy

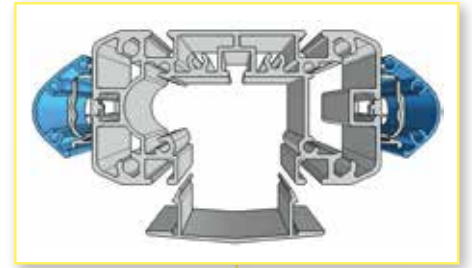


■ vexio-cart Height adjustable PC workstation

vexio-cart – THE HIGHLIGHTS AT A GLANCE

NEW!

vexio-cart „Plus“



vexio-cart

Efficient Product Design

- The die-cast aluminium bases developed for the **vexio-cart** provide the user with a wide floor space with a high load capacity and a minimal installation height of only 32 mm.
- Telescopic rails with a self-closing mechanism prevent it from dislodging the drawer without locking. The rail technology allows full extension of the drawer, positively affecting the usable storage space of the drawer and makes cleaning easier.
- The shape, choice of material and other components enable **vexio-cart** to offer a combination of light weight and robust stability.
- Cable ducts and handles provide the opportunity to bring the role of colour to the fore.

High flexibility

- The compact vertical extrusion offers space at the front and back for securing components and accessories.
- Components or cable ducts can be mounted flexibly or mounted in a grid, also on the sides of the support column.

Hygiene

- Through using hygienic strips and covers, the openings of the T-slots on the vertical extrusions can be closed. The surface of the entire cart is therefore virtually closed and can be cleaned easily.
- The hygiene of all ITD products is validated with the certificate of the German Society for Hospital Hygiene (DGKH).

Ergonomics

- Different installation heights and optional height adjustment together guarantee the user with a natural posture when working.
- A rear push handle and a locator on the shelves ensure easy movement and precise alignment of the trolley during transportation and when working.

Functional cable management and electrification:

- Up to 3 cables can be routed in the side-mounted cable ducts, and these can be switched on and used at any desired height. The socket strip and cables can also be stored directly within the supporting column, making connecting the device easier.
- The optional electric box, which is mounted in the base, can accommodate a 3-way socket strip.
- An optional 660 VA isolating transformer offers reinforced insulation for the network and secures the patients' environment against dangerous leakage currents.



MODULARITY FOR NUMEROUS CONFIGURATION OPTIONS

The modular structure is the defining feature of the **vexio-cart** mobile single-column equipment carts and the entire ITD product range, which allows all support systems to be configured, customised, upgraded or easily modified for special functions and application areas using the extensive standard range. This capability allows users to react fast and consistently to any changes or new customer requirements. The T-slots on the support column ensure easy assembly of the components. The display presented alongside shows a small selection of accessories for the **vexio-cart** equipment carts.

vexio-cart



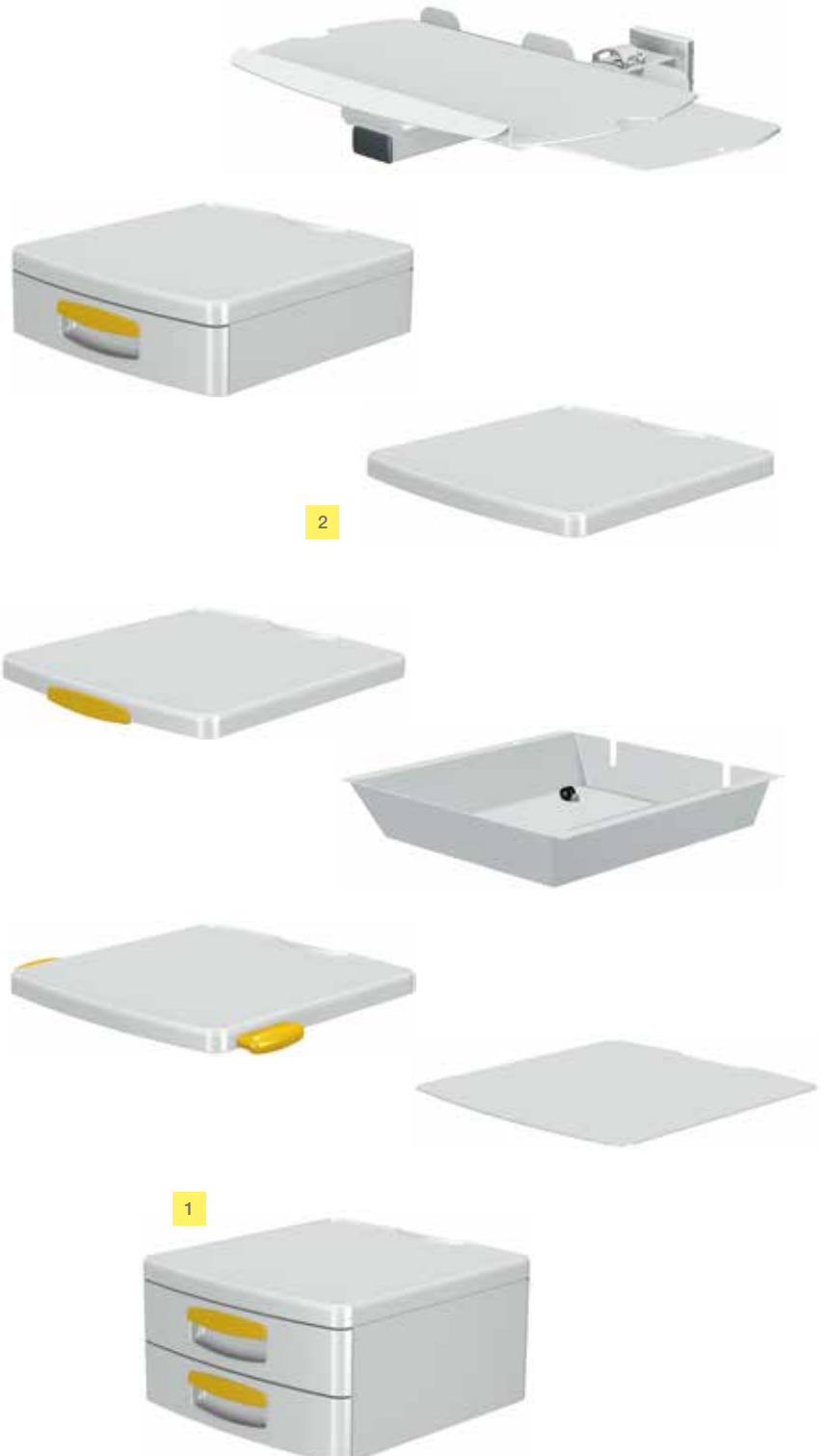
Roller-guided, self-retracting 4/4 guide rails ensure easy handling of **drawers** and easy access to its content.



The **shelf** can be supplied in different versions and the continuous raised edge offers your valuable equipment a secure platform.



A **variety of holders** are available for installing monitors, with VESA 75 / 100 adaptation, universal adapters or Table Top Mount Adapter units.





The **push handle** is held in a vertical position and can be used as a decorative element or a cable winder.



Electical box provides a large storage space for different socket strips, power units, and excess cables.

ORDER CONFIGURATIONS



vexio-cart

vexio-cart basic version

Item number: NT.5000.XXX¹⁾

Equipment cart, 21 U (Total height: 830 mm), fitted with:

- 1 basic frame with 4 lockable twin castors Ø 75 mm
- 1 shelf
- 1 push handle, rear
- 2 hygiene strips, front

vexio-cart ECG cart

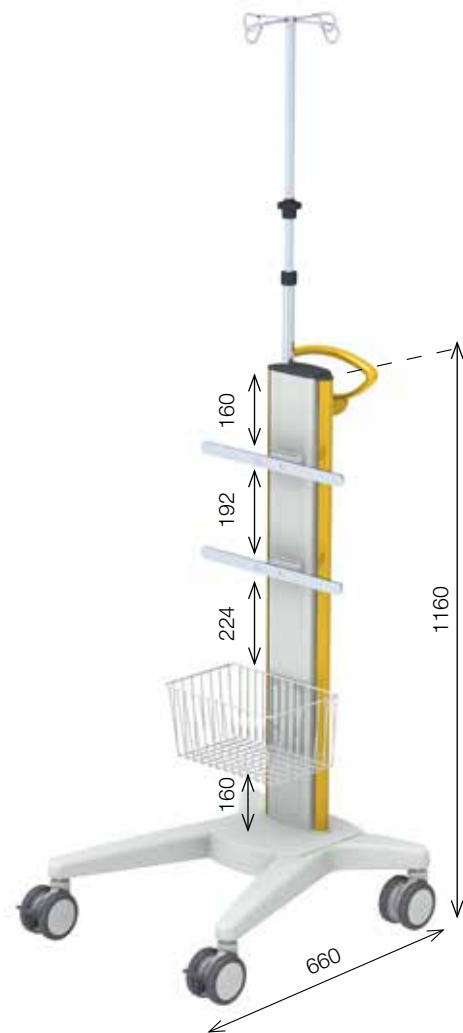
Item number: NT.5002.XXX¹⁾

Equipment cart, 25 U (Total height: 998 mm), fitted with:

- 1 basic frame with 4 lockable twin castors Ø 100 mm
- 1 electric box in the equipment cart base
- 1 block of drawers with handles at the side
- 1 storage basket, front
- 1 universal shelf
- 1 holder for suction system „Ergoline / Strässle“
- 1 push handle, rear
- 1 gel bottle holder
- 2 cable winders, rear
- 2 hygiene strips, front

Installation height: 21 U (672 mm)
Load capacity: 65 kg / 143 lbs
Finish: RAL 7035 light grey powder-coated
Decorative trims: push handle see ¹⁾
Scope of delivery: assembled

Installation height: 25 U (800 mm)
Load capacity: 65 kg / 143 lbs
Finish: RAL 7035 light grey powder-coated
Decorative trims: handles and push handle see ¹⁾
Scope of delivery: assembled



vexio-cart with height adjustment

Item number for load capacity:
 3-10 kg / 6.6 - 22 lbs: NT.5021.903
 10-16 kg / 22 - 35.2 lbs: NT.5022.903

Equipment cart, 35 U (Total height: 1320 mm),
 fitted with:

- 1 basic frame with 4 lockable twin castors Ø 100 mm
- 1 mechanical height adjustment with manual locking
- 1 keyboard drawer with mouse pad
- 1 universal monitor bracket with VESA 75/100 adapter, up to 14 kg / 30.8 lbs, and small power pack holder
- 1 push handle, rear
- 2 cable winders, rear
- 1 socket strip, earthed, 3-way with on/off switch
- 2 "Economy" cable ducts, side
- 2 hygiene strips, rear

Installation height: 35 U (1120 mm)

Load capacity: 65 kg / 143 lbs

Finish: RAL 7035 light grey powder-coated
Support column: anodised

Decorative trims: push handle and cable ducts see ¹⁾
Scope of delivery: assembled

vexio-cart with IV pole

Item number: NT.5006.XXX¹⁾

Equipment cart, 30 U (Total height: 1160 mm),
 fitted with:

- 1 basic frame with 4 lockable twin castors Ø 100 mm
- 2 standard runners 390 mm x 10 mm x 25 mm (L x D x H)
- 1 IV pole
- 1 storage basket, front
- 1 push handle, rear
- 1 cable harness, 3-way
- 1 POAG-Set with 3 leads
- 2 cable ducts, at the side
- 2 hygiene strips, front

Installation height: 30 U (960 mm)

Load capacity: 65 kg / 143 lbs

Finish: RAL 7035 light grey powder-coated
Decorative trims: push handle and cable ducts see ¹⁾

Scope of delivery: assembled

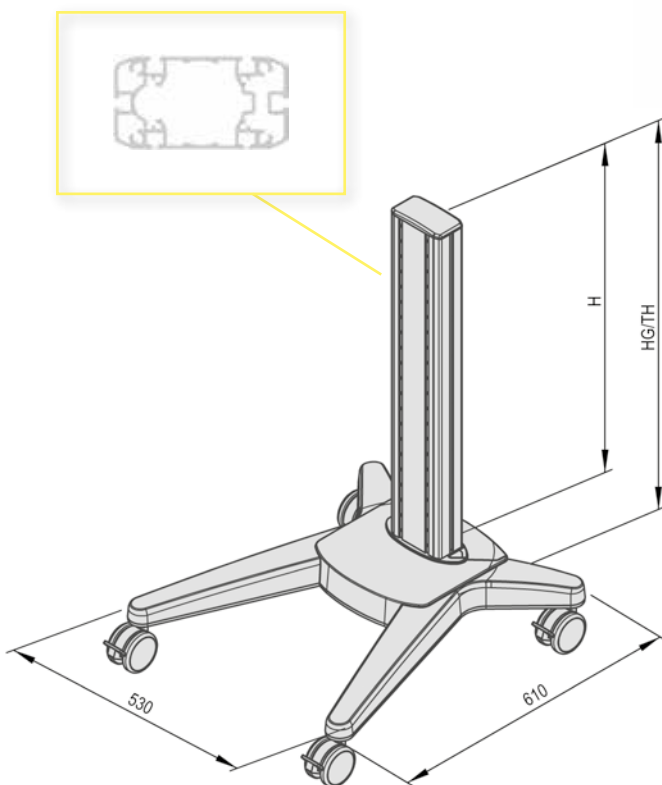
BASIC FRAME **vexio-cart** „Economy“

Basic frame **vexio-cart** „Economy“

The basic frame **vexio-cart** „Economy“ has a compact footprint and can accommodate a load of up to 65 kg / 143 lbs due to the high quality die-cast base. System components and accessories can be mounted in the T-slots on each side of the support column. To accommodate drawers, shelves and other components 2 tapped hole rails are installed on the front. Four lockable twin castors ensure high comfort while in motion and secure operational fixture.

- Load capacity:** 65 kg / 143 lbs
- Material:** steel / aluminium
- Finish:** RAL 7035 light grey powder-coated
- Scope of delivery:** 1 basic frame „Economy“, assembled

vexio-cart



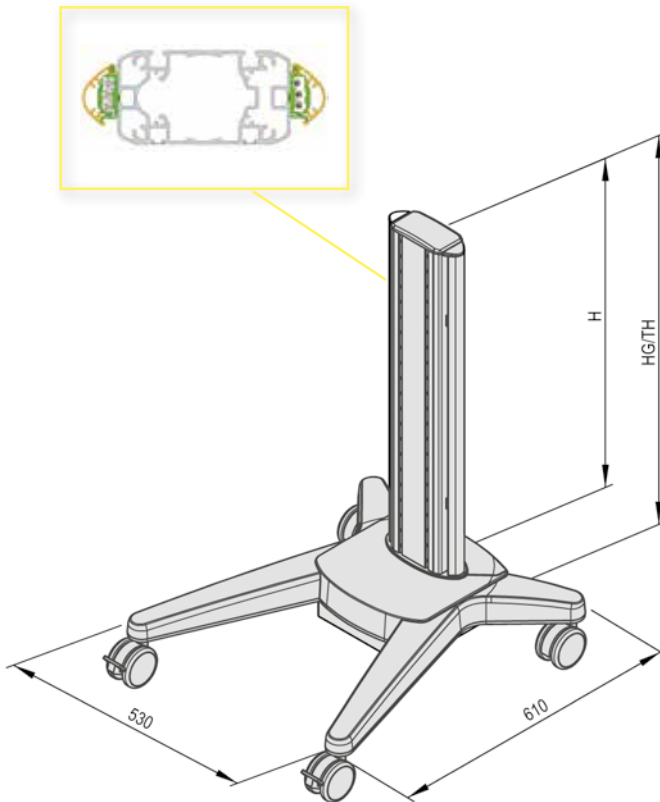
| Installation height H | Total height TH | Castors Ø | Item number |
|---|-----------------|-----------|-------------|
| 21 U (672 mm) | 830 mm | 75 mm | NT.4000.991 |
| 25 U (800 mm) | 998 mm | 100 mm | NT.4001.991 |
| 30 U (960 mm) | 1160 mm | 100 mm | NT.4002.991 |
| 35 U (1120 mm) | 1320 mm | 100 mm | NT.4003.991 |
| Counterweight set (is integrated in the front stabilisers at the factory) | | | NT.4140.800 |

BASIC FRAME vexio-cart „Profi“

Basic frame vexio-cart „Profi“

In addition to the benefits offered by the “Economy” model, the basic frame of the “Profi” **vexio-cart** comes with an integrated electric box installed under the base. Here the cables and plugs are protected against unauthorised access by an integrated locking mechanism. The professional version is also equipped with two lateral cable ducts that allow separate power and data cable routing along the column and provide an attractive design interface for the customer’s CI. Four lockable twin castors ensure high comfort while in motion and secure operational fixture.

- Load capacity:** 65 kg / 143 lbs
- Material:** steel / aluminium
- Finish:** RAL 7035 light grey powder-coated
- Decorative trims:** see ¹⁾; image RAL 1003 signal yellow
- Scope of delivery:** 1 basic frame „Profi“, assembled



vexio-cart

| Installation height H | Total height TH | Castors Ø | Item number |
|---|-----------------|-----------|---------------------------------|
| 21 U (672 mm) | 830 mm | 75 mm | NT.4004.XXX¹⁾ |
| 25 U (800 mm) | 998 mm | 100 mm | NT.4005.XXX¹⁾ |
| 30 U (960 mm) | 1160 mm | 100 mm | NT.4006.XXX¹⁾ |
| 35 U (1120 mm) | 1320 mm | 100 mm | NT.4007.XXX¹⁾ |
| Counterweight set (is integrated in the front stabilisers at the factory) | | | NT.4140.800 |

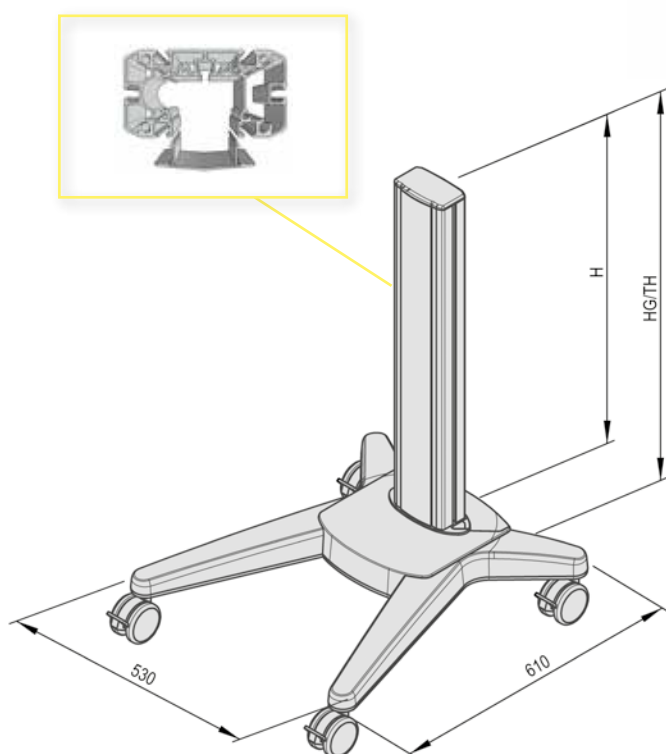
NEW! BASIC FRAME **vexio-cart** „Plus“

Basic frame **vexio-cart** „Plus“

The basic frame of the **vexio-cart** “Plus” has a compact base area and the high-quality die-cast base also enables it to bear loads of up to 65 kg/143 lbs. The supporting column of the **vexio-cart** “Plus” offers a front-opening extrusion. This provides additional electrification and cabling possibilities within the supporting column. There is actually space for power outlets and electrical cabling within the supporting column, alongside the electric box and electric tray. Following the installation of all the components, the front-opening extrusion can be closed off to protect the cabling. Four lockable twin castors ensure high comfort while moving and secure fixing at the point of use.

Load capacity: 65 kg / 143 lbs
Material: steel / aluminium
Finish: RAL 7035 light grey powder-coated
Scope of delivery: 1 basic frame „Plus“, assembled

vexio-cart



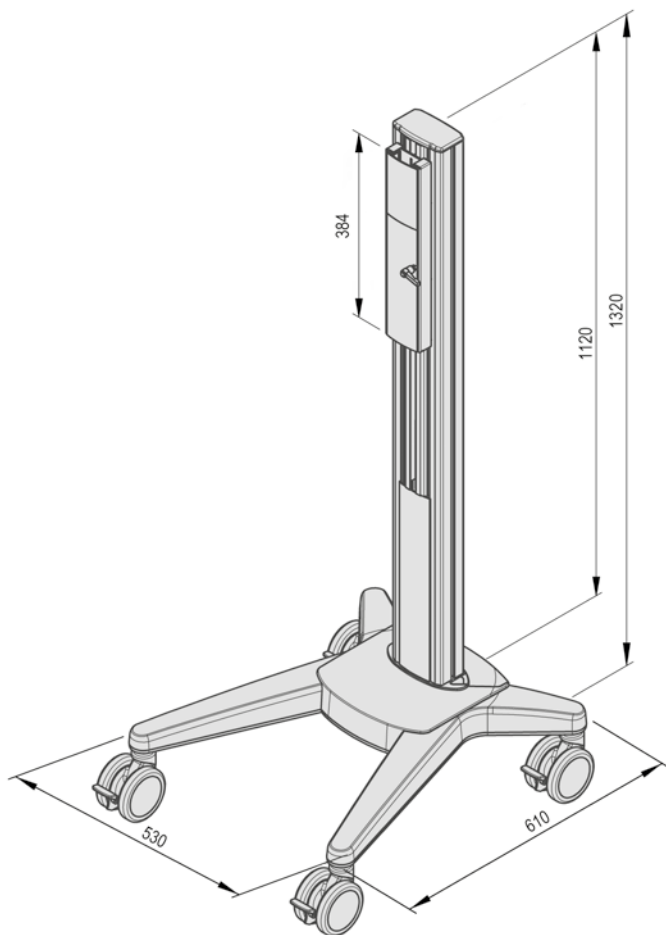
| Installation height H | Total height TH | Castors Ø | Item number |
|---|-----------------|-----------|-------------|
| 21 U (672 mm) | 830 mm | 75 mm | NT.4050.991 |
| 25 U (800 mm) | 998 mm | 100 mm | NT.4051.991 |
| 30 U (960 mm) | 1160 mm | 100 mm | NT.4052.991 |
| 35 U (1120 mm) | 1320 mm | 100 mm | NT.4053.991 |
| Counterweight set (is integrated in the front stabilisers at the factory) | | | NT.4140.800 |

BASIC FRAME WITH MECHANICAL HEIGHT ADJUSTMENT FOR **vexio-cart** **NEW!**

Basic frame **vexio-cart** with mechanical height adjustment with manual locking

By means of a height adjustment mechanism, your workplace can be operated either sitting or standing. The height adjustment is installed on the vertical profile of the basic frame **vexio-cart** at a height of 35 U. Loads can be effortlessly raised and lowered within the 300 mm adjustment range. A gas pressure spring helps when lifting loads. Components and accessories can be installed on the front of the height adjustment mechanism, as well as underneath it, or behind and down the sides of the supporting column. The height adjustment can be loaded with a weight of 3 to 10 kg/6.6 to 22 lbs or from 8 up to 14 kg/17.6 to 30.8 lbs. Four lockable twin castors (Ø 100 mm) ensure high comfort while moving and secure fixing at the point of use.

- Total height:** 35U, 1320 mm when with castors Ø 100 mm
- Load capacity:** 65 kg / 143 lbs
- Material:** steel / aluminium
- Finish:** **support column:** anodised, **base:** RAL 7035 light grey powder-coated
- Scope of delivery:** 1 basic frame, assembled



vexio-cart

| Designation | Load capacity of height adjustment | Item number |
|---|------------------------------------|-------------|
| Basic frame with mechanical height adjustment | 3-10 kg / 6.6-22 lbs | NT.4025.991 |
| Basic frame with mechanical height adjustment | 10-16 kg / 22-35.2 lbs | NT.4027.991 |

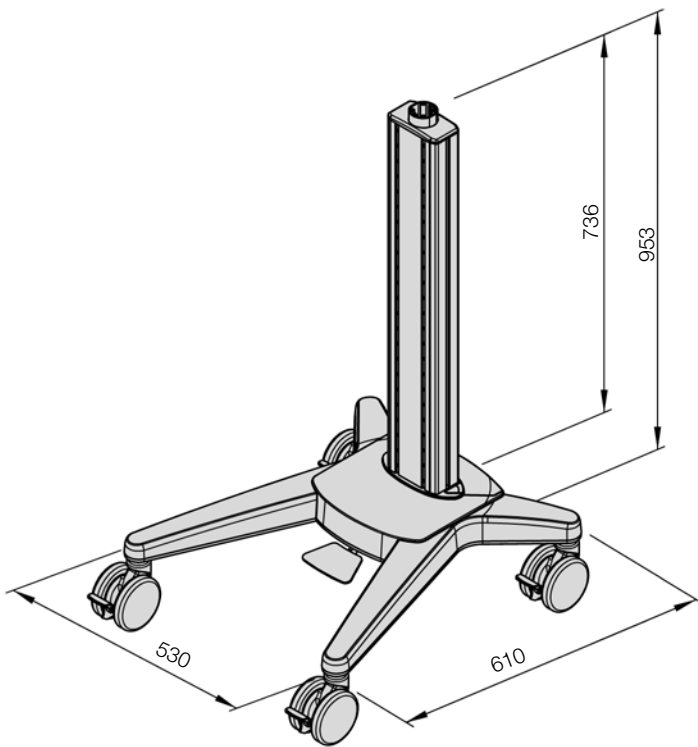
BASIC FRAME WITH MECHANICAL HEIGHT ADJUSTMENT FOR **vexio-cart**

Basic frame **vexio-cart** with mechanical height adjustment with release pedal

By means of a height adjustment mechanism, your workplace can be operated either sitting or standing. The basic frame **vexio-cart** with a mechanical height adjustment facility is available both with and without an electric box. The height adjustment is installed in the basic frame **vexio-cart** at a height of 23 U. There is a release pedal that can be found between the front stabilisers at the base. A gas pressure spring helps when lifting loads. The adjustment range is 300 mm and can be loaded with a weight of 3 to 10 kg / 6.6 - 22 lbs or from 8 up to 14 kg / 17.6 - 30.8 lbs. Four lockable twin castors (Ø 100 mm) ensure high comfort while in motion and secure operational fixture.

- Total height:** 953 mm when with castors Ø 100 mm
- Load capacity:** 65 kg / 143 lbs
- Material:** steel / aluminium
- Finish:** **support column:** anodised, **base:** RAL 7035 light grey powder-coated
- Scope of delivery:** 1 basic frame, assembled

vexio-cart



| | Basic frame with mechanical height adjustment | Load capacity of height adjustment 3-10 kg / 6.6-22 lbs | Load capacity of height adjustment 8-14 kg / 17.6-30.8 lbs |
|---|---|---|--|
| 1 | without Electric box | NT.4141.991 | NT.4008.991 |
| 2 | with Electric box | NT.4142.991 | NT.4009.991 |

BASIC FRAME WITH MECHANICAL HEIGHT ADJUSTMENT FOR **vexio-cart**

Monitor holder with VESA 75 / 100 adaptation and keyboard shelf

This monitor holder with VESA 75 / 100 adaptation and keyboard shelf has been developed especially for the basic frame with mechanical height adjustment with release pedal for the **vexio-cart**. Under the keyboard shelf is a mousepad that extends to the left or right. The monitor mount can be tilted by $\pm 20^\circ$.

Load capacity: monitor holder: 14 kg / 30.8 lbs; keyboard shelf: 5 kg / 11 lbs distributed load
Material: steel / aluminium
Finish: RAL 7035 light grey powder-coated
Scope of delivery: 1 monitor holder with VESA 75 / 100 adaptation and keyboard shelf, factory assembly only



vexio-cart

Designation

Item number

Monitor holder with VESA 75 / 100 adaptation and keyboard shelf

NT.2007.991

Monitor holder with VESA 100 / 200 / 300 adaptation and locators

This monitor mount with VESA 100 / 200 / 300 and locators has been developed especially for the basic frame **vexio-cart** with mechanical height adjustment release pedal. The die-cast aluminium locators are powder-coated and available in different colours. They are used for easy positioning of the trolley during operation. The monitor mount can be tilted to $\pm 20^\circ$.

Load capacity: monitor holder: 14 kg / 30.8 lbs
Material: steel
Finish: RAL 7035 light grey powder-coated
Scope of delivery: 1 monitor holder with VESA 100 / 200 / 300 adaptation and locators, factory assembly only



Designation

Item number

Monitor holder with VESA 100 / 200 / 300 adaptation and locators

NT.2065.XXX¹⁾

BASIC FRAME vexio-cart

Castor conversion kit for basic frame vexio-cart

For further requirements – as conversion kit instead of the specified standard design – the following castors are offered:

Scope of delivery: 1 castor conversion kit, 4 castors, each with wheel lock. Factory assembly only

| Castor conversion kit | Instead of standard | Item number |
|-----------------------|----------------------|-------------|
| Ø 100 mm | Ø 75 mm | ZV.9716.999 |
| Ø 100 mm, conductive | Ø 75 mm | ZV.9717.999 |
| Ø 100 mm, conductive | Ø 100 mm | ZV.9428.999 |
| Ø 125 mm, conductive | Ø 100 mm | ZV.9923.999 |
| Ø 125 mm, conductive | Ø 100 mm, conductive | ZV.9924.999 |
| Wall protector | | ZV.9964.999 |

Cable ducts for basic frame vexio-cart „Economy“ and vexio-cart „Plus“

The cable ducts are laterally attached to the support column and allow separate, higher-level management of data and power cables along the support column. The cable ducts are hinged on both sides providing easy access to the cables in case of service.

Material: aluminium
Finish: see ¹⁾ powder-coated
Scope of delivery: 2 cable ducts with tappen strips including mounting hardware



| Installation height | Item number |
|---------------------|---------------------------|
| 21 U (672 mm) | NT.4112.XXX ¹⁾ |
| 23 U (736 mm) | NT.4113.XXX ¹⁾ |
| 25 U (800 mm) | NT.4114.XXX ¹⁾ |
| 30 U (960 mm) | NT.4115.XXX ¹⁾ |
| 35 U (1120 mm) | NT.4116.XXX ¹⁾ |

Cable ducts „Economy“ for basic frame vexio-cart „Economy“ and vexio-cart „Plus“

The cable ducts can be clipped onto the sides into the „Economy“ model T-slots without the need for tools and allow separate routing of data and power cables along the support column.

Material: plastic PVC-U and PVC-C
Finish: RAL 7035 light grey
Scope of delivery: 2 cable ducts



| Installation height | Item number |
|---------------------|-------------|
| 21 U (672 mm) | NT.4155.991 |
| 23 U (736 mm) | NT.4156.991 |
| 25 U (800 mm) | NT.4157.991 |
| 30 U (960 mm) | NT.4158.991 |
| 35 U (1120 mm) | NT.4159.991 |

BASIC FRAME **vexio-cart**

Hygiene strips for basic frame **vexio-cart**

The hygiene strips are available for all variants of the base frame and cover the T-slots on all sides of the support column. They protect against contamination and allow the frame to be quickly wiped clean or disinfected.

Material: plastic PVC-U
Finish: RAL 7035 light grey
Scope of delivery: 6 hygiene strips



| Installation height | Item number |
|---------------------|-------------|
| 21 U (672 mm) | NT.4128.991 |
| 23 U (736 mm) | NT.4139.991 |
| 25 U (800 mm) | NT.4129.991 |
| 30 U (960 mm) | NT.4130.991 |
| 35 U (1120 mm) | NT.4131.991 |

Electric box for basic frame **vexio-cart** „Economy“ and **vexio-cart** „Plus“

The electric box is mounted underneath the basic „Economy“ frame to neatly and securely accommodate power strips or electrical accessories. The electric box is similar to a lockable drawer. The drawer is roller-guided and therefore easily extendable. It is included as standard with the basic frame **vexio-cart** „Profi“

Load capacity: 3 kg / 6.6 lbs distributed load
Material: steel / plastic ABS
Finish: **cover:** RAL 7035 light grey, **electric box:** RAL 7043 traffic grey powder-coated
Installation: under the equipment cart base
Scope of delivery: 1 electric box, telescopic guides including mounting hardware, pre-assembled



| Designation | Item number |
|------------------------|-------------|
| Electric box, lockable | NT.4121.800 |

- The electric box cannot be combined with a **vexio-cart** isolating transformer.

NEW! ISOLATING TRANSFORMER pro-cart

Isolating transformer for **vexio-cart**

The isolating transformer is used to reduce the dangers for patients and professionals posed by leakage by providing insulation to the network. Single-fault protection and potential-free voltage supply is guaranteed by the use of the isolating transformer. This allows a constant power supply for electro-medical equipment and a safe patient environment. The isolation transformer, in a protective conductor with a metal housing, is mounted under the basic frame and has the following features:

| | |
|---|---|
| Power: | 660 VA |
| Input / Output voltage: | 115 V / 115 V or 230 V / 230 V, 50 Hz / 60 Hz – switchable |
| Power input: | IEC 320 EURO input for use of country-specific power cables |
| Design: | annular core transformer |
| Conditionally short-circuit proof: | in conformity with IEC 742 and IEC 601-1 |
| Inrush current limitation: | electronically regulated to approx. 15 A |
| Safety class: | 1 |
| Insulation voltage: | 4 KV |
| Fuse protection: | primary 2-phase |
| Material of enclosure: | steel |
| Finish: | RAL 7035 light grey powder-coated |
| Installation: | under the basic frame |
| Scope of delivery: | 1 isolating transformer, 1 earthed power cable 5 m, 1 cable harness for the connection of 3 devices with IEC 320 socket strip. Factory assembly only. |



| Isolating transformer for vexio-cart | Power | Item number |
|---|--------|-------------|
| Isolating transformer for vexio-cart „Economy“ | 660 VA | ZV.9288.999 |
| Isolating transformer for vexio-cart „Plus“ | 660 VA | ZV.9289.999 |

| On / Off switch in the cover cap of support column | Item number |
|--|-------------|
| | NT.2070.999 |

An on/off switch is only available with the **vexio-cart** “Plus” basic frame.

CABLE HARNESS / POAG SETS **vexio-cart**

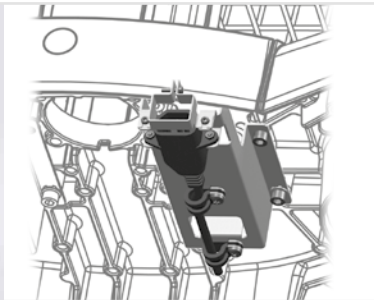
Cable harness, 3-way for **vexio-cart**

Instead of an electric box with socket for the electrification, there is a 3-way cable harness. The 3 cables of different lengths can be fed through the cable duct at different heights. Excess lengths of cable can optionally be stowed neatly beneath the base. The connection to the power supply is from below the base.

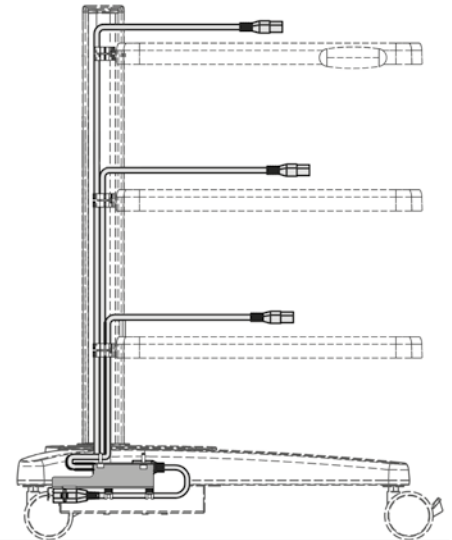
- Material:** steel / plastic / copper
- Finish:** RAL 7035 light grey powder-coated
- Installation:** under the equipment cart base
- Scope of delivery:** 1 cable harness 3-way, including mounting hardware, pre-assembled



Cable harness, 3-way



Transfer point below the base



Scheme - Application Example

vexio-cart

Designation

Cable harness, 3-way

Item number

ZV.9572.999

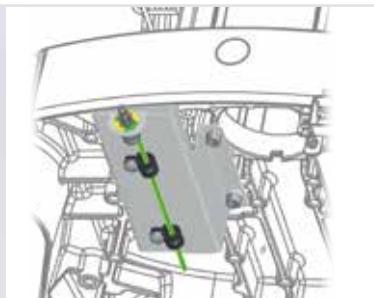
Equipotential set POAG for **vexio-cart**

The POAG set for the **vexio-cart** is available for the „Economy“ or „Profi“ versions. The POAG cables with connectors are attached at the required height to the lateral tapped strips. The connection to the power supply in the „Economy“ version is below the base and in the „Profi“ version through the electric box.

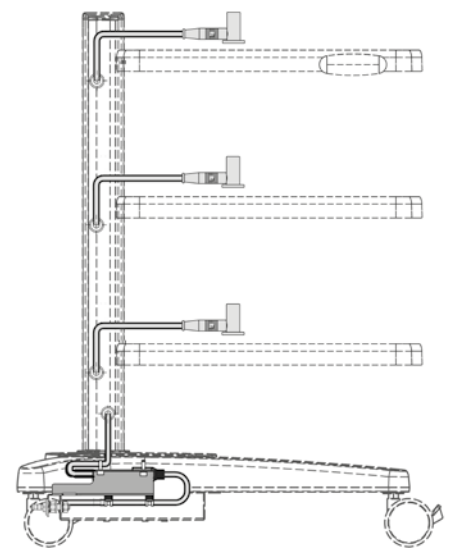
- Material:** steel / plastic / copper
- Finish:** RAL 7035 light grey powder-coated
- Installation:** under the equipment cart base
- Scope of delivery:** 1 POAG set with carrier and leads or only with leads, including mounting hardware, pre-assembled



POAG set with cable



Socket underneath the base



Scheme - Application Example

Designation

POAG set with cable and socket for **vexio-cart** „Economy“

Item number

ZV.9573.999

POAG set with cable for **vexio-cart** „Profi“

ZV.9574.999

SOCKET STRIPS **vexio-cart** „Plus“

Socket strip Schuko, 3-way, with switch, connection cable and earthing contact for **vexio-cart** „Plus“

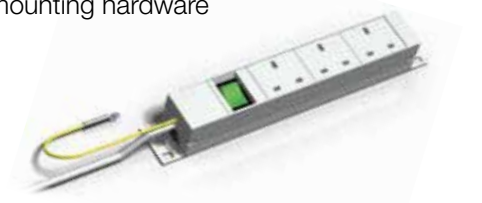
Ratings: 16 A / 250 VAC
Installation: in the support column
Scope of delivery: 1 socket strip Schuko, including cover strip and mounting hardware



| Designation | Connection cable | Standard | Item number |
|--|------------------|----------------|-------------|
| Socket strip Schuko, 3-way, with switch, connection cable and earthing contact | 5 m | DIN VDE 0620-1 | ZV.9844.991 |

Socket strip British Standard, 3-way, with switch, connection cable and earthing contact for **vexio-cart** „Plus“

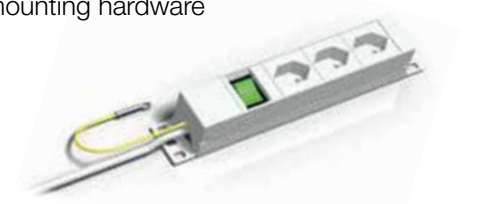
Ratings: 13 A / 250 VAC
Installation: in the support column
Scope of delivery: 1 socket strip British Standard, including cover strip and mounting hardware



| Designation | Connection cable | Standard | Item number |
|--|------------------|----------|-------------|
| Socket strip British Standard, 3-way, with switch, connection cable and earthing contact | 5 m | BS 1363 | ZV.9758.991 |

Socket strip Swiss Standard, 3-way, with switch, connection cable and earthing contact for **vexio-cart** „Plus“

Ratings: 16 A / 250 VAC
Installation: in the support column
Scope of delivery: 1 socket strip Swiss Standard, including cover strip and mounting hardware



| Designation | Connection cable | Standard | Item number |
|--|------------------|----------|-------------|
| Socket strip Swiss Standard, 3-way, with switch, connection cable and earthing contact | 5 m | SEV 1011 | ZV.9848.991 |

Plug removal barriers are available in Chapter Accessories.

SOCKET STRIPS vexio-cart

EURO socket strip, 3-way with earthing contact for vexio-cart

Ratings: 10 A / 250 VAC
Installation: inside electric box or electric tray
Scope of delivery: 1 EURO socket strip, including mounting hardware



| Designation | Connection cable | Standard | Item number |
|--|------------------|----------|-------------|
| EURO socket strip, 3-way with earthing contact | without | IEC 320 | ZV.9517.999 |

The corresponding connection cable must be ordered separately and can be found in the Chapter Accessories.

Socket strip Schuko, 3-way for vexio-cart

Ratings: 16 A / 250 VAC
Installation: inside electric box or electric tray
Scope of delivery: 1 socket strip Schuko, including mounting hardware



| Designation | Connection cable | Standard | Item number |
|----------------------------|------------------|----------------|-------------|
| Socket strip Schuko, 3-way | 3 m | DIN VDE 0620-1 | ZV.9516.999 |

Socket strip British Standard, 4-way for vexio-cart

Ratings: 13 A / 250 VAC
Installation: inside electric tray
Scope of deliver: 1 socket strip British Standard, including mounting hardware



| Designation | Connection cable | Standard | Item number |
|--------------------------------------|------------------|----------|-------------|
| Socket strip British Standard, 4-way | 5 m | BS 1363 | ZV.9694.999 |

Socket strip French Standard, 3-way with earthing contact for vexio-cart

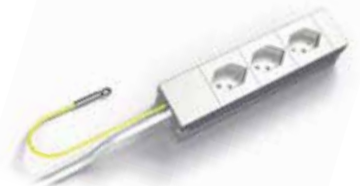
Ratings: 16 A / 250 VAC
Installation: inside electric box or electric tray
Scope of delivery: 1 socket strip French Standard, including mounting hardware



| Designation | Connection cable | Standard | Item number |
|---|------------------|-----------|-------------|
| Socket strip French Standard, 3-way with earthing contact | 5 m | CEE7, UTE | ZV.9397.999 |

Socket strip Swiss Standard, 3-way, with earthing contact for vexio-cart

Ratings: 13 A / 250 VAC
Installation: inside electric box or electric tray
Scope of delivery: 1 socket strip Swiss Standard, including mounting hardware



| Designation | Connection cable | Standard | Item number |
|--|------------------|----------|-------------|
| Socket strip Swiss Standard, 3-way with earthing contact | 5 m | SEV 1011 | ZV.9518.999 |

SHELVES vexio-cart

Shelves for vexio-cart

The shelves for the **vexio-cart** are characterised by being spacious, with raised edges and rounded corners. The low installation height saves space and creates valuable space for other system components. The shelves are available with various features such as handles or a mousepad. The integrated mousepad is extendable to the right and to the left. The handles are available in different colours.

Installation height: 1 U (32 mm)
Dimensions: 424 mm x 430 mm (W x D)
Usable area: 400 mm x 384 mm (W x D)
Load capacity: 15 kg / 33 lbs distributed load
Material: aluminium
Finish: RAL 7035 light grey powder-coated
Decorative trims: handles see ¹⁾
Installation: in the front T-slots of support column
Scope of delivery: 1 shelf including mounting hardware, pre-assembled

vexio-cart



| Designation | Item number |
|----------------------------------|---------------------------|
| 1 Shelf | NT.4100.991 |
| 2 Shelf with handles at the side | NT.4101.XXX ¹⁾ |
| 3 Shelf with handle | NT.4102.XXX ¹⁾ |
| 4 Shelf with mousepad | NT.4103.991 |
| 5 Shelf with handle and mousepad | NT.4109.XXX ¹⁾ |

Universal shelf for vexio-cart

The universal shelf can be ordered individually and adapted to the footprint of the device and is almost invisible.

Installation height: 2 U (64 mm)
Usable area: 400 mm x 400 mm (W x D)
Load capacity: 10 kg / 22 lbs distributed load
Material: steel / aluminium
Finish: RAL 7035 light grey powder-coated
Installation: in the front T-slots of support column
Scope of delivery: 1 universal shelf including mounting hardware, pre-assembled



| Designation | Item number |
|---|-------------|
| Universal shelf | NT.4124.991 |
| Customised sizes are available on request | |

DRAWERS vexio-cart

Drawers for vexio-cart

The **vexio-cart** drawers are designed as a complete unit. The drawers are available with various features such as handles or a mousepad. As standard, the integrated mousepad is extendable to the right and to the left. The fully extendable telescopic rails with a self-closing mechanism prevent it from dislodging the drawer without locking. The fully extendable rail technology maximises the storage space of the drawer and makes cleaning easier.

| | |
|---------------------------|---|
| Dimensions: | 424 mm x 430 mm (W x D) |
| Usable area: | 400 mm x 384 mm (W x D) |
| Interior area: | block of drawers: 380 mm x 390 mm x 90 mm (W x D x H) block of drawers, high: 380 mm x 390 mm x 175 mm (W x D x H) |
| Load capacity: | shelf: 10 kg / 22 lbs distributed load, block of drawers: 3 kg / 6.6 lbs distributed load |
| Material: | steel / aluminium / plastic |
| Finish: | RAL 7035 light grey powder-coated |
| Decorative trims: | handles see ¹⁾ |
| Installation: | in the front T-slots of support column |
| Scope of delivery: | 1 block of drawers including mounting hardware, pre-assembled |

vexio-cart



| Designation | Installation height | Item number |
|---|---------------------|---------------------------|
| 1 Block of drawers | 4 U (128 mm) | NT.4104.XXX ¹⁾ |
| 2 Block of drawers, lockable (not illustrated) | 4 U (128 mm) | NT.4105.XXX ¹⁾ |
| 3 Block of drawers with mousepad | 4 U (128 mm) | NT.4108.XXX ¹⁾ |
| 4 Block of drawers with handles at the side | 4 U (128 mm) | NT.4118.XXX ¹⁾ |
| 5 Block of drawers, 1 unit, high | 7 U (224 mm) | NT.4106.XXX ¹⁾ |
| 6 Block of drawers, 1 unit, high with handles at the side | 7 U (224 mm) | NT.4119.XXX ¹⁾ |
| 7 Block of drawers, 2 units | 7 U (224 mm) | NT.4107.XXX ¹⁾ |
| 8 Block of drawers, 2 units, with handles at the side | 7 U (224 mm) | NT.4120.XXX ¹⁾ |



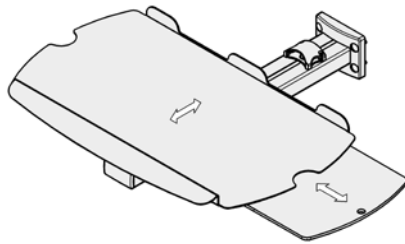
¹⁾ Decorative trims: please replace .XXX with .902 = RAL 5013 cobalt blue, .903 = RAL 7035 light grey, .908 = RAL 5015 sky blue, .909 = RAL 1003 signal yellow

KEYBOARD DRAWER / ELECTRIC TRAY / PUSH HANDLE **vexio-cart**

Keyboard drawer with mousepad (left / right) for **vexio-cart**

The keyboard drawer for the **vexio-cart**, is mounted directly on the support column and usually placed under a storage shelf and can be extended by 160 mm. When pulling out or pushing in the keyboard, the keyboard cable and the mouse are guided safely. The integrated mousepad can be pulled out to the left or to the right.

- Installation height:** 2 U (64 mm)
- Load capacity:** 5 kg / 11 lbs distributed load
- Material:** steel / aluminium
- Finish:** RAL 7035 light grey powder-coated
- Installation:** in the front T-slots of support column
- Scope of delivery:** 1 keyboard drawer with mousepad including mounting hardware, pre-assembled



| Designation | Item number |
|--|-------------|
| Keyboard drawer with mousepad (left / right) | NT.4132.991 |

Electric Tray for **vexio-cart**

The electric tray can hold large socket strips and various overly long cables that are secured using the appropriate mounting options. It provides protection against unauthorised access and is mounted underneath a storage shelf. Narrow openings at the back of the tray allow for the appropriate cable connection and extension options.

- Dimensions:** 330 mm x 390 mm x 70 mm (W x D x H)
- Load capacity:** 3 kg / 6.6 lbs distributed load
- Material:** steel
- Finish:** RAL 7035 light grey powder-coated
- Installation:** below the shelf
- Scope of delivery:** 1 electric tray including mounting hardware, pre-assembled



| Designation | Item number |
|---------------|-------------|
| Electric tray | NT.4123.991 |

Push handle for **vexio-cart**

The optional coloured handle is mounted on the rear of the support column in a vertical sliding position. This offers more legroom at the base and also space-saving parking against the wall. Thanks to its special design it can also be used to wind the cable round and to hold the plug.

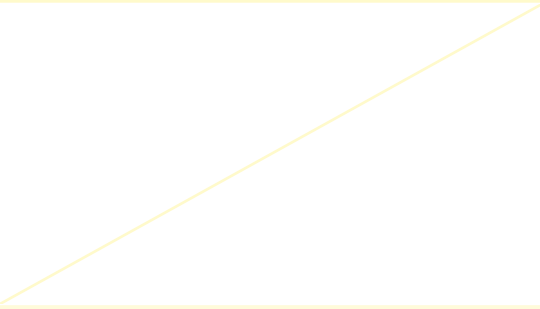




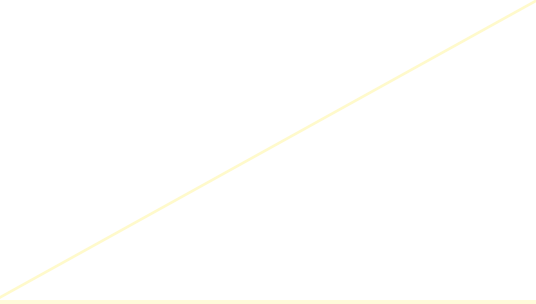

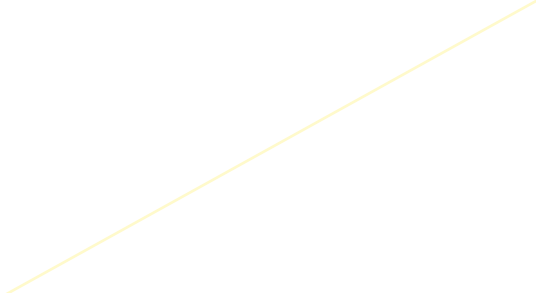
- Material:** aluminium
- Finish:** see ¹⁾ powder-coated
- Installation:** on the rear side of the support column
- Scope of delivery:** 1 handle including mounting hardware



| Designation | Item number |
|-------------|---------------------------|
| Push handle | NT.2000.XXX ¹⁾ |

MONITOR HOLDERS vexio-cart

Monitor holders for basic frames **vexio-cart** „Economy and **vexio-cart** „Profi“

| Installation | On the support column | At the front of the support column | | |
|-----------------------------------|--|---|-----------------------|--------------------|
| VESA 75 / 100 |  |  ± 20° tilt ± 20° swivel | | |
| | | | Monitor weight | Item number |
| | | | 0- 14 kg / 0-30.8 lbs | TH.2002.991 |
| | | 14-18 kg / 30.8-39.6 lbs | TH.2003.991 | |
| VESA 75 / 100 universal |  ± 20° tilt ± 180° swivel |  ± 15° tilt ± 25° swivel | | |
| | | | Monitor weight | Item number |
| | | | 0- 14 kg / 0-30.8 lbs | NT.4117.991 |
| | | 0- 14 kg | TS.6359.991 | |
| Universal adapter | Adapter plates for universal adapter on page 149 | | | |
| |  ± 20° tilt ± 180° swivel |  | | |
| | | | Monitor weight | Item number |
| 0- 14 kg / 0-30.8 lbs | | | NT.4133.991 | |
| Table Top Mount-Adapter (Philips) |  ± 20° tilt ± 180° swivel |  | | |
| | | | Monitor weight | Item number |
| | | | 0- 14 kg / 0-30.8 lbs | NT.4134.991 |

vexio-cart

Material:

steel / aluminium / plastic

Finish:

RAL 7035 light grey powder-coated, **universal adapter:** anodised

Scope of delivery:

1 monitor holder including mounting hardware and matching cap if necessary.

NB: Please note that the Table Top Mount adapter is supplied without a Table Top Mount!

NEW! MONITOR HOLDERS **vexio-cart**

Monitor holders for basic frame **vexio-cart** „Plus“

vexio-cart

| Installation | On the support column | At the front of the support column | | | | | | | | |
|-----------------------------------|---|--|----------------|-----------------------|-----------------------|--|--------------------------|--------------------|----------|--------------------|
| VESA 75 / 100 |  |  | | | | | | | | |
| | | <table border="1"> <tr> <td>Monitor weight</td> <td>Item number</td> </tr> <tr> <td>0- 14 kg / 0-30.8 lbs</td> <td>TH.2002.991</td> </tr> <tr> <td>14-18 kg / 30.8-39.6 lbs</td> <td>TH.2003.991</td> </tr> </table> | Monitor weight | Item number | 0- 14 kg / 0-30.8 lbs | TH.2002.991 | 14-18 kg / 30.8-39.6 lbs | TH.2003.991 | | |
| Monitor weight | Item number | | | | | | | | | |
| 0- 14 kg / 0-30.8 lbs | TH.2002.991 | | | | | | | | | |
| 14-18 kg / 30.8-39.6 lbs | TH.2003.991 | | | | | | | | | |
| VESA 75 / 100 universal |  |  | | | | | | | | |
| | <table border="1"> <tr> <td>Monitor weight</td> <td>Item number</td> </tr> <tr> <td>0- 14 kg / 0-30.8 lbs</td> <td>NT.4163.991</td> </tr> </table> | Monitor weight | Item number | 0- 14 kg / 0-30.8 lbs | NT.4163.991 | <table border="1"> <tr> <td>Monitor weight</td> <td>Item number</td> </tr> <tr> <td>0- 14 kg</td> <td>TS.6359.991</td> </tr> </table> | Monitor weight | Item number | 0- 14 kg | TS.6359.991 |
| Monitor weight | Item number | | | | | | | | | |
| 0- 14 kg / 0-30.8 lbs | NT.4163.991 | | | | | | | | | |
| Monitor weight | Item number | | | | | | | | | |
| 0- 14 kg | TS.6359.991 | | | | | | | | | |
| Universal adapter | <p>Adapter plates for universal adapter on page 149</p>  | | | | | | | | | |
| | <table border="1"> <tr> <td>Monitor weight</td> <td>Item number</td> </tr> <tr> <td>0- 14 kg / 0-30.8 lbs</td> <td>NT.4164.991</td> </tr> </table> | Monitor weight | Item number | 0- 14 kg / 0-30.8 lbs | NT.4164.991 | | | | | |
| Monitor weight | Item number | | | | | | | | | |
| 0- 14 kg / 0-30.8 lbs | NT.4164.991 | | | | | | | | | |
| Table Top Mount-Adapter (Philips) |  | | | | | | | | | |
| | <table border="1"> <tr> <td>Monitor weight</td> <td>Item number</td> </tr> <tr> <td>0- 14 kg / 0-30.8 lbs</td> <td>NT.4165.991</td> </tr> </table> | Monitor weight | Item number | 0- 14 kg / 0-30.8 lbs | NT.4165.991 | | | | | |
| Monitor weight | Item number | | | | | | | | | |
| 0- 14 kg / 0-30.8 lbs | NT.4165.991 | | | | | | | | | |

Material:

steel / aluminium / plastic

Finish:

RAL 7035 light grey powder-coated, **universal adapter:** anodised

Scope of delivery:

1 monitor holder including mounting hardware and matching cap if necessary.

NB: Please note that the Table Top Mount adapter is supplied without a Table Top Mount!

